



## Installation & Operation Manual



MIN 2500TL-X

MIN 3000 TL-X

MIN 3600 TL-X

MIN 4200 TL-X

MIN 4600 TL-X

MIN 5000 TL-X

MIN 6000 TL-X

Manual Introduce and Copyright

Copyright © 2021 Growatt New Energy Co., Ltd All rights reserved.

No part of this document may be reproduced, stored in a retrieval system, or transmitted, in any form or by any means, electronic, mechanical, photographic, magnetic or otherwise, without the prior written permission of Growatt New Energy Co., Ltd.

Growatt New Energy Co., Ltd makes no representations, express or implied, with respect to this documentation or any of the equipment and/or software it may describe, including (with no limitation) any implied warranties of utility, merchantability, or fitness for any particular purpose. All such warranties are expressly disclaimed. Neither Growatt New Energy Co., Ltd nor its distributors or dealers shall be liable for any indirect, incidental, or consequential damages under any circumstances.

(The exclusion of implied warranties may not apply in all cases under some statutes, and thus the above exclusion may not apply.)

Specifications are subject to change without notice. Every attempt has been made to make this document complete, accurate and up-to-date. Readers are cautioned, however, that Growatt reserves the right to make changes without notice and shall not be responsible for any damages, including indirect, incidental or consequential damages, caused by reliance on the material presented, including, but not limited to, omissions, typographical errors, arithmetical errors or listing errors in the content material.

All trademarks are recognized even if these are not marked separately. Missing designations do not mean that a product or brand is not a registered trademark.

Growatt New Energy CO.,LTD

4-13/F,Building A,Sino-German (Europe) Industrial Park,Hangcheng Ave,Bao'an District,Shenzhen,P.R.China

# Index

Index .....	3
1 Notes on this manual .....	6
1.1 Validity .....	6
1.2 Target Group .....	6
1.3 Additional information .....	6
1.4 Symbols in this document .....	7
1.4.1 Warnings in this document .....	7
1.4.2 Markings on this product .....	7
1.5 Glossary .....	9
2 Safety .....	10
2.1 Intended Use .....	10
2.2 Qualification of skilled person .....	10
2.3 Safety instruction .....	11
2.4 Assembly Warnings .....	11
2.5 Electrical Connection Warnings .....	12
2.6 Operation Warnings .....	12
3 Product description .....	13
3.1 TL-X Overview .....	13
3.2 Type label .....	15
3.3 Size and weight .....	16
3.4 Storage of Inverter .....	17
3.5 The advantage of the unit .....	17
4 Unpacking and inspection .....	17
5 Installation .....	18
5.1 Safety instructions .....	18
5.2 Selecting the installation location .....	19
5.3 Mounting the Inverter .....	22
5.3.1 Mounting the Inverter with bracket .....	22
5.3.2 Fixed the inverter on the wall .....	23
6 Electrical connection .....	24
6.1 Safety .....	24
6.2 Wiring AC Output .....	24
6.3 Connecting the second protective conductor .....	30
6.4 Connecting the PV Array (DC input) .....	30
6.4.1 Conditions for DC Connection .....	30
6.4.2 Connecting the PV Array (DC input) .....	31
6.5 Connecting signal cable .....	32
6.6 Grounding the inverter .....	34
6.7 Earth Fault Alarm .....	34
6.8 Active power control with smart meter , CT or ripple control signal receiver .....	35
6.9 Inverter demand response modes (DRMS) .....	37

6.9.1	8Pin socket pin assignment .....	37
6.9.2	Method of asserting demand response modes .....	37
6.9.3	Using DRMS for EU .....	38
7	Commissioning .....	39
7.1	Start the inverter .....	39
7.1.1	Touch control .....	39
7.1.2	Country setting Country/Area and Region setting .....	40
7.1.3	Enabling/Disabling Power Quality Response Modes (PQRM) .....	41
7.1.4	Check firmware version,Region,Country/Area and Power Quality Response Modes .....	41
7.2	General setting .....	42
7.2.1	Set inverter display language .....	42
7.2.2	Set inverter COM address .....	42
7.2.3	Set inverter date & time .....	43
7.3	Advanced setting .....	43
7.3.1	Reset Country,Region and Power Quality Response Modes (PQRM) .....	43
7.3.2	Generation & Export limitation control and Power Sensor setting .....	45
7.3.3	Reset factory .....	46
7.3.4	Adjust the setpoints from the regional default values .....	47
7.4	Communications .....	47
7.4.1	RS485 .....	47
7.4.2	USB-A .....	47
8	Start-Up and shut down the inverter .....	48
8.1	Start-Up the inverter .....	48
8.2	Turn-off the Inverter .....	48
9	Maintenance , Repair and Cleaning .....	48
9.1	Checking Heat Dissipation .....	49
9.2	Cleaning the Inverter .....	49
9.3	Checking the DC Disconnect .....	49
10	EU Declaration of Conformity .....	49
11	Trouble shooting .....	49
11.1	Error Messages displayed on OLED .....	50
11.2	System fault .....	50
11.3	Inverter warning .....	52
11.4	Inverter fault .....	52
12	Manufacturer Warranty .....	54
13	Decommissioning .....	54
13.1	Dismantling the Inverter .....	54
13.2	Packing the Inverter .....	54
13.3	Storing the Inverter .....	54
13.4	Disposing of the Inverter .....	54
14	Technical Data .....	55
14.1	Specification .....	55
14.2	DC &AC connector info .....	58

14.3 Torque .....	58
14.4 Accessories.....	59
15 Compliance Certificates .....	59
16 Contact.....	59

# 1 Notes on this manual

## 1.1 Validity

This manual describes the assembly, installation, commissioning and maintenance of the following Growatt Inverter model:

MIN 2500 TL-X

MIN 3000 TL-X

MIN 3600 TL-X

MIN 4200 TL-X

MIN 4600 TL-X

MIN 5000 TL-X

MIN 6000 TL-X

This manual does not cover any details concerning equipment connected to the MIN TL-X( e.g. PV modules). Information concerning the connected equipment is available from the manufacturer of the equipment.

## 1.2 Target Group

This manual is for qualified personnel. Qualified personnel have received training and have demonstrated skills and knowledge in the construction and operation of this device. Qualified Personnel are trained to deal with the dangers and hazards involved in installing electric devices.






## 1.3 Additional information

Find further information on special topics in the download area at [www.ginverter.com](http://www.ginverter.com)  
The manual and other documents must be stored in a convenient place and be available at all times. We assume no liability for any damage caused by failure to observe these instructions. For possible changes in this manual, GROWATT NEW ENERGY CO.,LTD accepts no responsibilities to inform the users.



## 1.4 Symbols in this document










### 1.4.1 Warnings in this document

A warning describes a hazard to equipment or personnel. It calls attention to a procedure or practice, which, if not correctly performed or adhered to, could result in damage to or destruction of part or all of the Growatt equipment and/or other equipment connected to the Growatt equipment or personal injury.

Symbol	description
 <b>DANGER</b>	<b>DANGER</b> indicates a hazardous situation which, if not avoided, will result in death or serious injury.
 <b>WARNING</b>	<b>WARNING</b> indicates a hazardous situation which, if not avoided, could result in death or serious injury.
 <b>CAUTION</b>	<b>CAUTION</b> indicates a hazardous situation which, if not avoided, could result in minor or moderate injury.
 <b>NOTICE</b>	<b>NOTICE</b> is used to address practices not related to personal injury.
 <b>Information</b>	<b>Information</b> that you must read and know to ensure optimal operation of the system.

### 1.4.2 Markings on this product

Symbol	Explanation
	Electrical voltage!
	Risk of fire or explosion !

	<p>Risk of burns</p>
	<p>Operation after 5 minutes</p>
	<p>Point of connection for grounding protection</p>
	<p>Direct Current (DC)</p>
	<p>Isolation Switch</p>
	<p>Alternating Current (AC)</p>
	<p>Read the manual</p>
	<p>CE mark. The inverter complies with the requirements of the applicable EC guidelines.</p>
	<p>The inverter must not be disposed of with the household waste.</p>



## 1.5 Glossary

### **AC**

Abbreviation for "Alternating Current"

### **DC**

Abbreviation for "Direct Current"

### **Energy**

Energy is measured in Wh (watt hours), kWh (kilowatt hours) or MWh (megawatt hours). The energy is the power calculated over time. For example, your inverter operates at a constant power of 4600 W for half an hour and then at a constant power of 2300 W for another half an hour, it has fed 3450Wh of energy into the power distribution grid within that hour.

### **Power**

Power is measured in W (watts), kW (kilowatts) or MW (megawatts). Power is an instantaneous value. It displays the power your inverter is currently feeding into the power distribution grid.

### **Power rate**

Power rate is the ratio of current power feeding into the power distribution grid and the maximum power of the inverter that can feed into the power distribution grid.

### **Power Factor**

Power factor is the ratio of true power or watts to apparent power or volt amps. They are identical only when current and voltage are in phase than the power factor is 1.0. The power in an ac circuit is very seldom equal to the direct product of the volts and amperes. In order to find the power of a single phase ac circuit the product of volts and amperes must be multiplied by the power factor.

### **PV**

Abbreviation for photovoltaic

### **wireless communication**

The external wireless communication technology is a radio technology that allows the inverter and other communication products to communicate with each other. The external wireless communication does not require line of sight between the devices and it is selective purchasing.

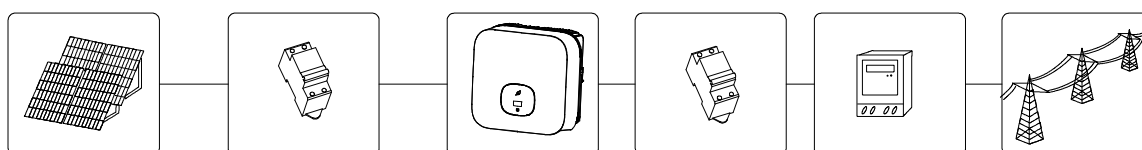
## 2 Safety

### 2.1 Intended Use

The unit converts the DC current generated by the photovoltaic (PV) modules to grid-compliant alternating current and performs single-phase feed-in into the electricity grid.

MIN 2500-6000TL-X inverters are built according to all required safety rules. Nevertheless, improper use may cause lethal hazards for the operator or third parties, or may result in damage to the units and other property.

#### Principle of a PV plant with this MIN TL-X single-phase inverter



Position	Description
A	PV modules
B	DC load circuit breaker
C	Inverter
D	AC load circuit breaker
E	Energy meter
F	Utility grid

The inverter may only be operated with a permanent connection to the public power grid. The inverter is not intended for mobile use. Any other or additional use is not considered the intended use. The manufacturer/supplier is not liable for damage caused by such unintended use. Damage caused by such unintended use is at the sole risk of the operator.

#### PV modules Capacitive Discharge Currents

PV modules with large capacities relative to earth, such as thin-film PV modules with cells on a metallic substrate, may only be used if their coupling capacity does not exceed **1 $\mu$ F**. During feed-in operation, a leakage current flows from the cells to earth, the size of which depends on the manner in which the PV modules are installed (e.g. foil on metal roof) and on the weather (rain, snow). This "normal" leakage current may not exceed 50mA due to the fact that the inverter would otherwise automatically disconnect from the electricity grid as a protective measure.

### 2.2 Qualification of skilled person



This grid-tied inverter system operates only when properly connected to the AC distribution network. Before connecting the MIN TL-X to the power distribution grid, contact the local power distribution grid company. This connection must be made only by qualified technical personnel to

connect, and only after receiving appropriate approvals, as required by the local authority having jurisdiction.



## 2.3 Safety instruction

The MIN TL-X Inverters is designed and tested according to international safety requirements (IEC62109-1,CE,VDE0126-1-1, AS4777); however, certain safety precautions must be observed when installing and operating this inverter. Read and follow all instructions, cautions and warnings in this installation manual. If questions arise, please contact Growatt's technical services at +86 (0)755 2747 1942



## 2.4 Assembly Warnings

 <p><b>WARNING</b></p>	<ul style="list-style-type: none"> <li>➤ Prior to installation, inspect the unit to ensure absence of any transport or handling damage, which could affect insulation integrity or safety clearances; failure to do so could result in safety hazards.</li> <li>➤ Assemble the inverter per the instructions in this manual. Use care when choosing installation location and adhere to specified cooling requirements.</li> <li>➤ Unauthorized removal of necessary protections, improper use, incorrect installation and operation may lead to serious safety and shock hazards and/or equipment damage.</li> <li>➤ In order to minimize the potential of a shock hazard due to hazardous voltages, cover the entire solar array with dark material prior to connecting the array to any equipment.</li> </ul>
 <p><b>CAUTION</b></p>	<ul style="list-style-type: none"> <li>➤ Grounding the PV modules: The MIN TL-X is a transformerless inverter. That is why it has no galvanic separation. Do not ground the DC circuits of the PV modules connected to the MIN TL-X. Only ground the mounting frame of the PV modules.If you connect grounded PV modules to the MIN TL-X, the error message "PV ISO Low".</li> <li>➤ Comply with the local requirements for grounding the PV modules and the PV generator. GROWATT recommends connecting the generator frame and other electrically conductive surfaces in a manner which ensures continuous conduction with ground in order to have optimal protection of the system and personnel.</li> </ul>

## 2.5 Electrical Connection Warnings

 <p><b>DANGER</b></p>	<ul style="list-style-type: none"> <li>➤ The components in the inverter are live. Touching live components can result in serious injury or death.             <ul style="list-style-type: none"> <li>● Do not open the inverter except the wire box by qualified persons.</li> <li>● Electrical installation, repairs and conversions may only be carried out by electrically qualified persons.</li> <li>● Do not touch damaged inverters.</li> </ul> </li> <li>➤ Danger to life due to high voltages in the inverter             <ul style="list-style-type: none"> <li>● There is residual voltage in the inverter. The inverter takes 20 minutes to discharge.</li> </ul> </li> <li>➤ Persons with limited physical or mental abilities may only work with the Growatt inverter following proper instruction and under constant supervision. Children are forbidden to play with the Growatt inverter. Must keep the Growatt inverter away from children.</li> </ul>
 <p><b>WARNING</b></p>	<ul style="list-style-type: none"> <li>➤ Make all electrical connections (e.g. conductor termination, fuses, PE connection, etc.) in accordance with prevailing regulations. When working with the inverter powered on, adhere to all prevailing safety regulations to minimize risk of accidents.</li> <li>➤ Systems with inverters typically require additional control (e.g., switches, disconnects) or protective devices (e.g., fusing circuit breakers) depending upon the prevailing safety rules.</li> </ul>

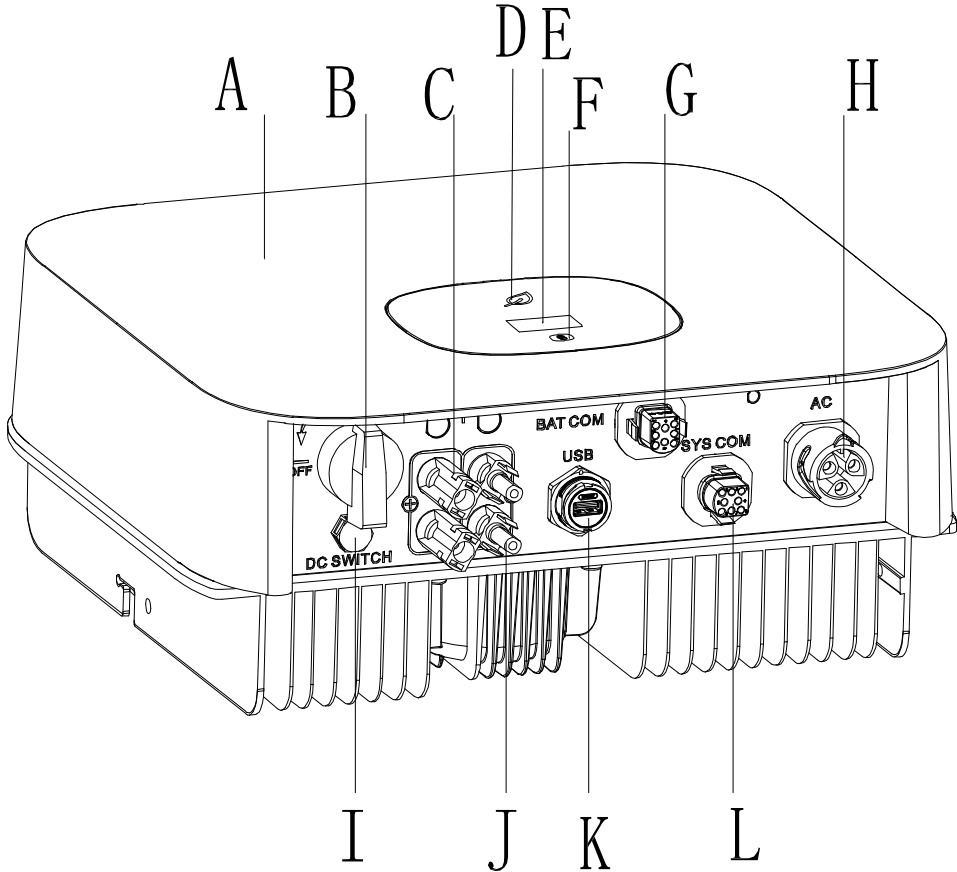
## 2.6 Operation Warnings

 <p><b>WARNING</b></p>	<ul style="list-style-type: none"> <li>➤ Ensure all connectors are sealed and secure during operation.</li> <li>➤ Although designed to meet all safety requirements, some parts and surfaces of Inverter are still hot during operation. To reduce the risk of injury, do not touch the heat sink at the back of the PV-Inverter or nearby surfaces while Inverter is operating.</li> <li>➤ Incorrect sizing of the PV plant may result in voltages being present which could destroy the inverter. The inverter display will read the error message “PV voltage High!”             <ul style="list-style-type: none"> <li>● Turn the rotary switch of the DC Disconnect to the Off position immediately.</li> <li>● Contact installer.</li> </ul> </li> </ul>
 <p><b>CAUTION</b></p>	<ul style="list-style-type: none"> <li>➤ All operations regarding transport, installation and start-up, including maintenance must be operated by qualified, trained personnel and in compliance with all prevailing codes and regulations.</li> <li>➤ Anytime the inverter has been disconnected from the power network, use extreme caution as some components can retain charge sufficient to</li> </ul>

	<p>create a shock hazard; to minimize occurrence of such conditions, comply with all corresponding safety symbols and markings present on the unit and in this manual.</p> <ul style="list-style-type: none"> <li>➤ In special cases, there may still be interference for the specified application area despite maintaining standardized emission limit values (e.g. when sensitive equipment is located at the setup location or when the setup location is near radio or television receivers). In this case, the operator is obliged to take proper action to rectify the situation.</li> <li>➤ Do not stay closer than 20 cm to the inverter for any length of time.</li> </ul>
--	--

### 3 Product description

#### 3.1 TL-X Overview

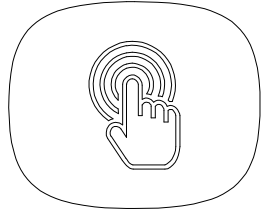
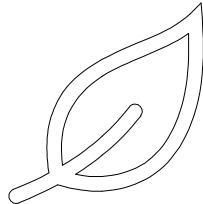


Position	Description
A	Cover
B*	DC SWITCH
C	PV INPUT +
D	LED
E	OLED
F	TOUCH BUTTON
G**	DRM PORT
H	AC OUTPUT
I	VENTILATION VALVE
J	PV INPUT-
K	USB PORT
L	COM PORT

\* DC Switch is not available on the Australian model.

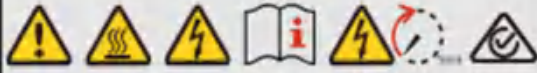
\*\*Only for EU and Australia market.

### Symbol on the inverter

Symbol	Description	Explanation		
	Touch symbol	Touch button. We can switch the OLED display and set parameter by touching.		
	Inverter status symbol	<b>Inverter status</b>	<b>LED color</b>	<b>LED status</b>
		Standby	Green	0.5S on and 2S off
		Normal	Green	Solid
		Fault	Red	Solid
		Warning	Green	0.5s on, 0.5s off, 0.5s on, 2S off
		programming	Yellow	1s on and 1s off

### 3.2 Type label

The type labels provide a unique identification of the inverter (The type of product, Device-specific characteristics, Certificates and approvals). The type labels are on the left-hand side of the enclosure.

<b>GROWATT</b> PV Grid Inverter	
Model name	MIN 6000TL-X
Max. PV voltage	550 d.c.V
PV voltage range	80-550 d.c.V
PV Isc	16.9 d.c.A*2
Max. input current	13.5 d.c.A*2
Rated output power	6000 W
Rated apparent power	6000 VA
Nominal output voltage	230 a.c.V
Rated output current	26 a.c.A
Nominal output frequency	50/60 Hz
Power factor range	0.8leading~0.8lagging
Overvoltage category	PV:II AC:III Others:I
Safety level	Class I
Ingress protection	IP65
Operation ambient temperature	-25°C - +60°C
Inverter topology	Non-isolated
Certificate number	SAA183671
	
x Made in China	

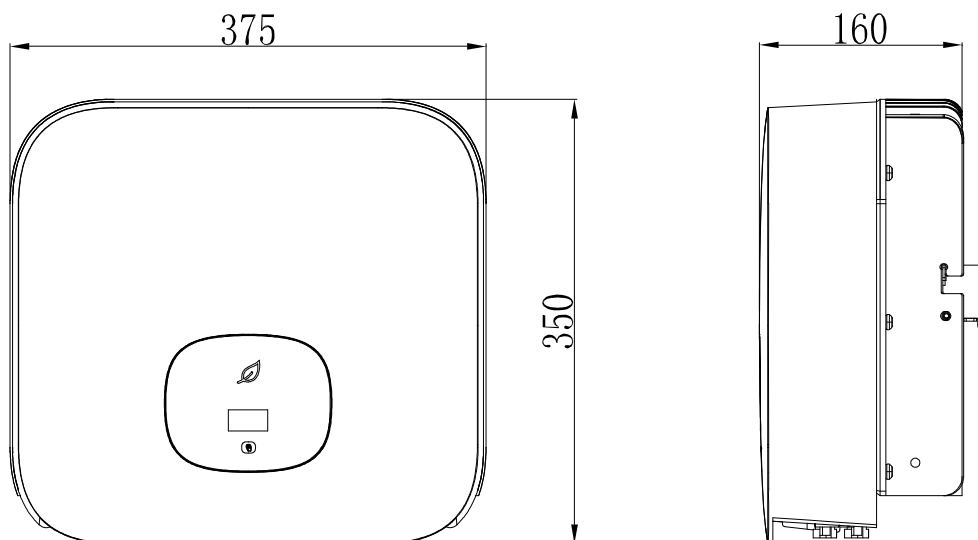
More detail about the type label as the chart below:

Model Name	MIN 2500 TL-X	MIN 3000 TL-X	MIN 3600 TL-X
Max input DC voltage	500V		
Max input DC current	13.5A/13.5A		
Start voltage	100V		
MPP voltage range	80V~500V		80V~550V
AC nominal voltage	230V		
AC grid frequency	50/60 Hz		
Max. apparent power	2500VA	3000VA	3600VA
AC normal output current	10.8A	13A	15.6A
Power factor	0.8leading...0.8lagging		

Environmental Protection Rating	IP65
Operation Ambient temperature	-25...+60°C (-13...+ 140° F) with derating above 45° C (113° F)

Model Name	MIN 4200 TL-X	MIN 4600 TL-X	MIN 5000 TL-X	MIN 6000 TL-X
Max input DC voltage	550V			
Max input DC current	13.5A/13.5A			
Start voltage	100V			
MPP voltage range	80V~550V			
AC nominal voltage	230V			
AC grid frequency	50/60 Hz			
Max. apparent power	4200VA	4600VA	5000VA	6000 VA
AC normal output current	18.2A	20A	21.7A	26A
Power factor	0.8leading...0.8lagging			
Environmental Protection Rating	IP65			
Operation Ambient temperature	-25...+60°C (-13...+ 140° F) with derating above 45° C (113° F)			

### 3.3 Size and weight





### Dimensions and weight

Model	Height (H)	Width (W)	Depth (D)	Weight
MIN 2500-6000 TL-X	350mm 13.8inch	375mm 14.8inch	160mm 6.3inch	10.8kg

### 3.4 Storage of Inverter

If you want to storage the inverter in your warehouse, you should choose an appropriate location to store the inverter.

- The unit must be stored in original package and desiccant must be left in the package.
- The storage temperature should be always between  $-25^{\circ}\text{C}$  and  $+60^{\circ}\text{C}$ . And the storage relative humidity can achieve to 100%.
- If there are a batch of inverters need to be stored, the maximum layers for original carton is four.
- After long term storage, local installer or service department of GROWATT should perform a comprehensive test before installation.

### 3.5 The advantage of the unit

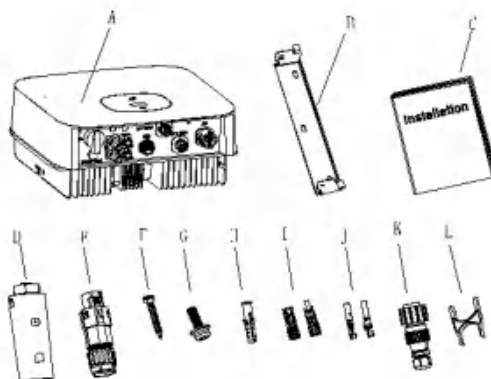
- Maximum efficiency of 98.4%
- Wide input voltage range from 80--550Vdc
- Reactive power regulate
- Integrated DC switch\*
- Multi MPP controller
- DSP controller
- Touch control
- Multi active power control mode
- Easy installation

\* DC Switch is not available on the Australian model

## 4 Unpacking and inspection

The inverter is thoroughly tested and inspected strictly before delivery. Our inverters leave our factory in proper electrical and mechanical condition. Special packaging ensures safe and careful transportation. However, transport damage may still occur. The shipping company is responsible in such cases. Thoroughly inspect the inverter upon delivery. Immediately notify the responsible shipping company if you discover any damage to the packaging which indicates that the inverter may have been damaged or if you discover any visible damage to the inverter. We will be glad to assist you, if required. When transporting the inverter, the original or equivalent packaging should be used, and the maximum layers for original carton is four, as this ensures safe transport.



After opening the package, please check the contents of the box. It should contain the following, Please check all of the accessories carefully in the carton. If anything missing, contact your dealer at once.



Object	Description	Quantity
A	Inverter	1
B	Mounting bracket	1
C	Quick Guide	1
D	Monitor(Optional)	1
E	Signal connector	1
	DRMS connector (only for Australia)	1
F	Self-tapping screws	3
G	Plastic expansion pipe	3
H	PV+/PV- terminal	2/2
I	PV+/PV- metal terminal	2/2
J	AC connector	1
K	Uninstall PV tool	1
L	Uninstall signal or AC connector tool	1

## 5 Installation

### 5.1 Safety instructions

	<p><b>Danger to life due to fire or explosion</b></p> <ul style="list-style-type: none"> <li>➤ Despite careful construction, electrical devices can cause fires.</li> <li>➤ Do not install the inverter on easily flammable materials and where flammable materials are stored.</li> </ul>
	<p><b>Risk of burns due to hot enclosure parts</b></p> <p>Mount the inverter in such a way that it cannot be touched inadvertently.</p>



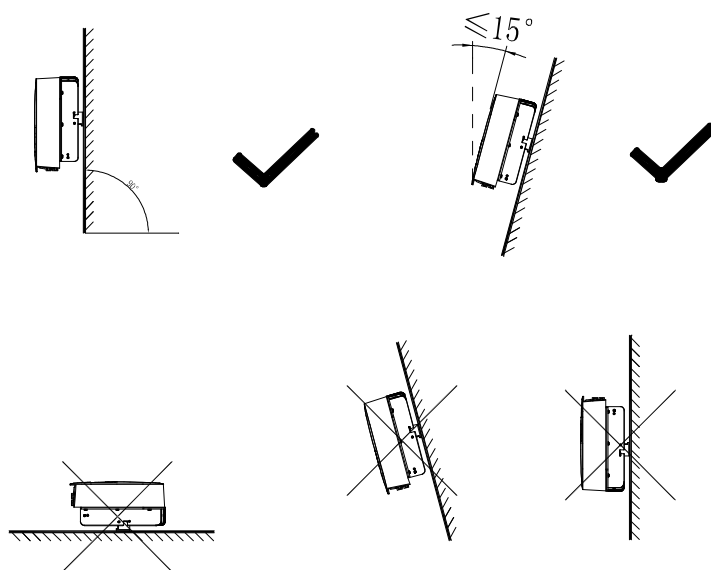
**Possible damage to health as a result of the effects of radiation!**

- In special cases, there may still be interference for the specified application area despite maintaining standardized emission limit values (e.g. when sensitive equipment is located at the setup location or when the setup location is near radio or television receivers). In this case, the operator is obliged to take proper action to rectify the situation.
- Never install the inverter near the sensitive equipment (e.g. Radios, telephone, television, etc)
- Do not stay closer than 20 cm to the inverter for any length of time unless it is absolutely necessary.
- Growatt assumes no responsibility for compliance to EMC regulations for the complete system

- All electrical installations shall be done in accordance with the local and national electrical codes. Do not remove the casing. Inverter contains no user serviceable parts. Refer servicing to qualified service personnel. all wiring and electrical installation should be conducted by a qualified service personnel .
- Carefully remove the unit from its packaging and inspect for external damage. If you find any imperfections, please contact your local dealer.
- Be sure that the inverters connect to the ground in order to protect property and personal safety.
- The inverter must only be operated with PV generator. Do not connect any other source of energy to it.
- Both AC and DC voltage sources are terminated inside the PV Inverter. Please disconnect these circuits before servicing.
- This unit is designed to feed power to the public power grid (utility) only. Do not connect this unit to an AC source or generator. Connecting Inverter to external devices could result in serious damage to your equipment.
- When a photovoltaic panel is exposed to light, it generates a DC voltage. When connected to this equipment, a photovoltaic panel will charge the DC link capacitors.
- Energy stored in this equipment's DC link capacitors presents a risk of electric shock. Even after the unit is disconnected from the grid and photovoltaic panels, high voltages may still exist inside the PV-Inverter. Do not remove the casing until at least 5 minutes after disconnecting all power sources.
- Although designed to meet all safety requirements, some parts and surfaces of Inverter are still hot during operation. To reduce the risk of injury, do not touch the heat sink at the back of the PV-Inverter or nearby surfaces while Inverter is operating.

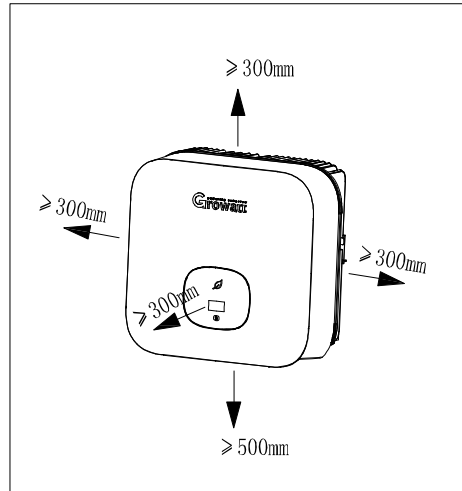
## 5.2 Selecting the installation location

- This is guidance for installer to choose a suitable installation location, to avoid potential damages to device and operators.
- The installation location must be suitable for the inverter's weight and dimensions for a long period time.
- Select the installation location so that the status display can be easily viewed.
- Do not install the inverter on structures constructed of inflammable or thermolabile materials.
- Never install the inverter in environment of little or no air flow, nor dust environment. That may derate the efficiency of the cooling fan of the inverter.
- The Ingress Protection rate is IP65 which means the inverter can be installed outdoors and indoors.
- The humidity of the installation location should be 0~100% without condensation.
- The installation location must be freely and safely to get at all times.
- Vertically installation and make sure the connection of inverter must be downwards. Never install horizontal and avoids forward and sideways tilt.

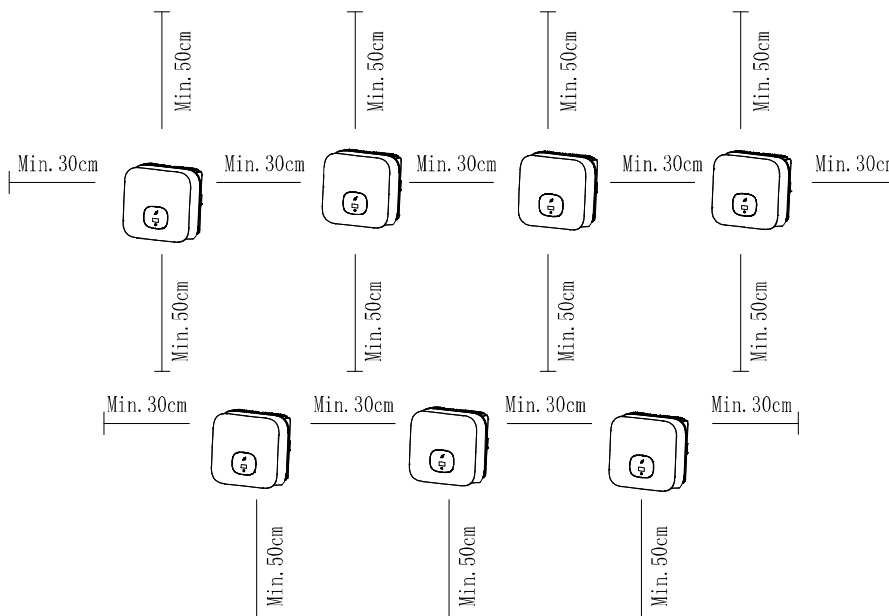


- Be sure that the inverter is out of the children's reach.
- Don't put any things on the inverter. Do not cover the inverter.
- Do not install the inverter near television antenna or any other antennas and antenna cables.
- Inverter requires adequate cooling space. Providing better ventilation for the inverter to ensure the heat escape adequately. The ambient temperature should be below 40°C to ensure optimum operation.
- Do not expose the inverter to direct sunlight, as this can cause excessive heating and thus power reduction.
- Observe the Min. clearances to walls, other inverters, or objects as shown

below:



Ambient dimensions of **one inverter**



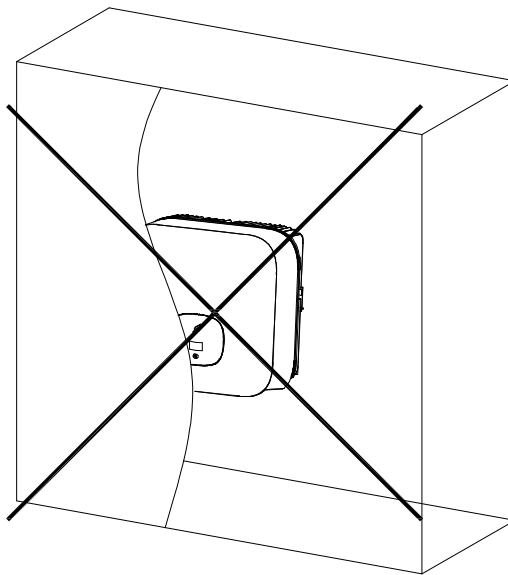
#### Ambient dimensions of **series inverters**

- There must be sufficient clearance between the individual inverters to ensure that the cooling air of the adjacent inverter is not taken in.
- If necessary, increase the clearance spaces and make sure there is enough fresh air supply to ensure sufficient cooling of the inverters.

The inverter can't install to solarization, drench, firm location. We suggest that the inverters should be installed at the location with some cover or protection.




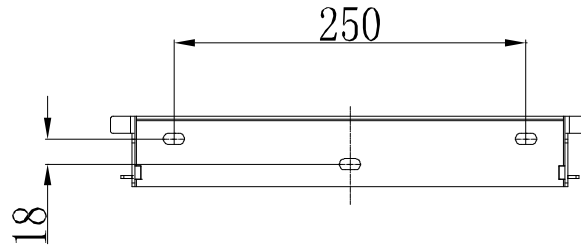
- Please make sure the inverter is installed at the right place. The inverter can't install close to trunk.



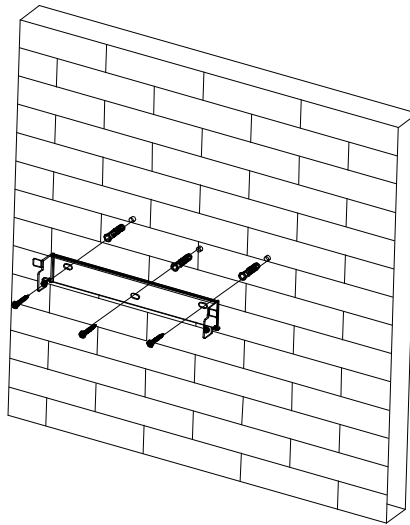
## 5.3 Mounting the Inverter

### 5.3.1 Mounting the Inverter with bracket

 <b>DANGER</b>	<p>In order to avoid electrical shock or other injury, inspect existing electronic or plumbing installations before drilling holes.</p>
--	---



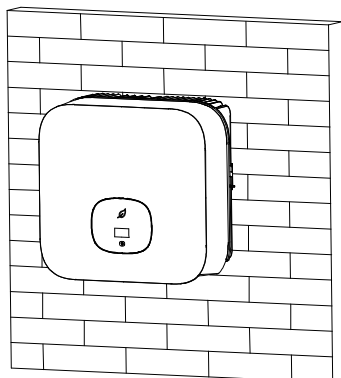
- Fix the mounting bracket as the figure shows. Do not make the screws to be flush to the wall. Instead, leave 2 to 4mm exposed.



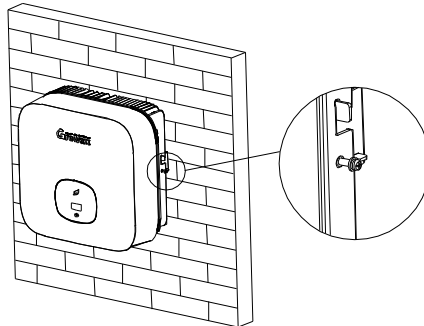
### 5.3.2 Fixed the inverter on the wall

	<p>Falling equipment can cause serious or even fatal injury, never mount the inverter on the bracket unless you are sure that the mounting frame is really firmly mounted on the wall after carefully checking.</p>
--	---

- Rise up the inverter a little higher than the bracket. Considered the weight of them. During the process please maintain the balance of the inverter. Hang the inverter on the bracket through the match hooks on bracket.



- After confirming the inverter is fixed reliably, fasten one M6 safety-lock sockets head cap screws on the right or left side firmly to prevent the inverter from being lifted off the bracket.





## 6 Electrical connection


Decisive Voltage Class (DVC) indicated for ports

Port Name	Class
AC	C
DC	C
DRMS	A
USB&RS485	A

### 6.1 Safety

	<p>Danger to life due to lethal voltages! High voltages which may cause electric shocks are present in the conductive parts of the inverter. Prior to performing any work on the inverter, disconnect the inverter on the AC and DC sides</p>
 <b>WARNING</b>	<p>Danger of damage to electronic components due to electrostatic discharge. Take appropriate ESD precautions when replacing and installing the inverter.</p>

### 6.2 Wiring AC Output

 <b>WARNING</b>	<ul style="list-style-type: none"> <li>➤ You must install a separate single-phase circuit-breaker or other load disconnection unit for each inverter in order to ensure that the inverter can be safely disconnected under load.</li> </ul> <p><b>NOTE</b> :The inverter has the function of detecting residual current and protecting the inverter against residual current. If an external RCD breaker is</p>
---	---



	mandatory in the country of installation, you must choose a <b>Type A</b> RCD breaker with the rating residual current not less than 300mA.
--	---

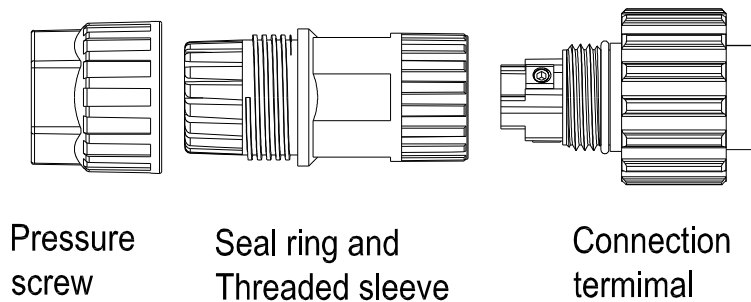
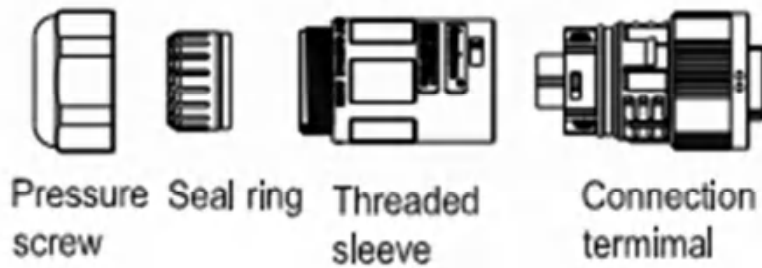
You must install a separate single-phase circuit-breaker or other load disconnection unit for each inverter in order to ensure that the inverter can be safely disconnected under load.

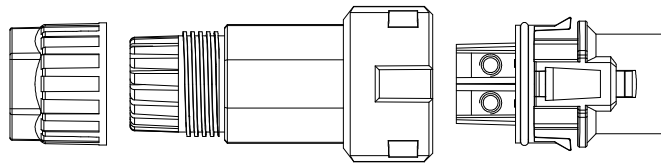
We suggest you choice the AC breaker rating current in this table:

MIN 2500 TL-X	16A/230V
MIN 3000 TL-X	16A/230V
MIN 3600 TL-X	20A/230V
MIN 4200 TL-X	25A/230V
MIN 4600 TL-X	25A/230V
MIN 5000 TL-X	32A/230V
MIN 6000 TL-X	32A/230V

### The AC wiring step:

1. Uninstall the parts of the AC connection plug from the accessory bag.



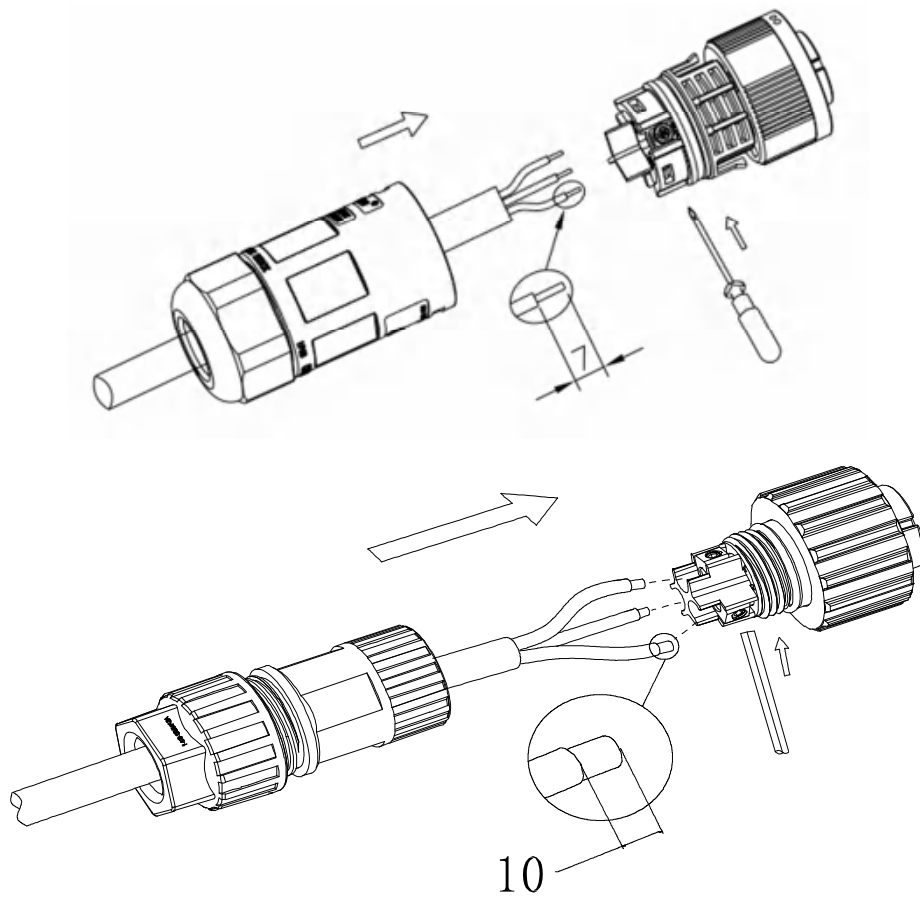


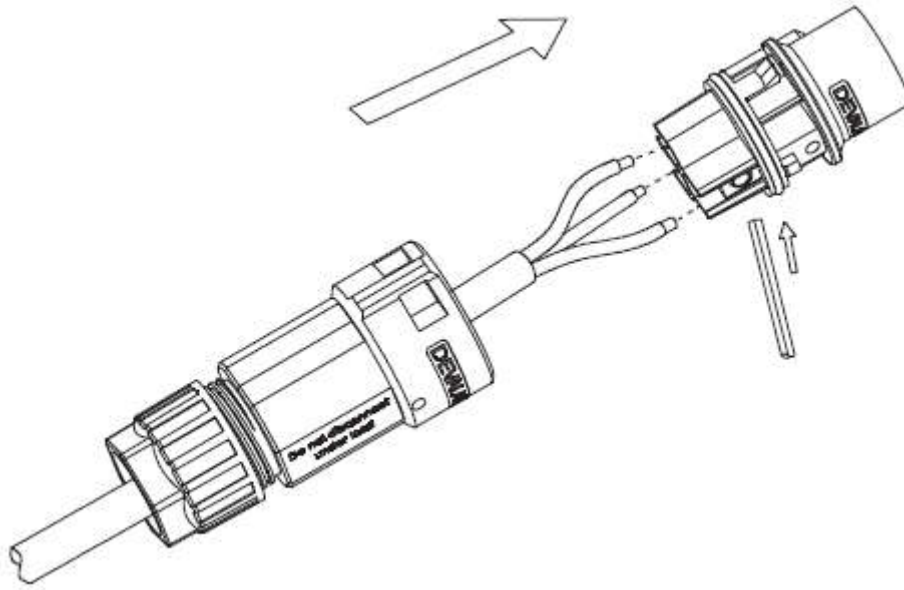
Pressure screw

Seal ring and Threaded sleeve

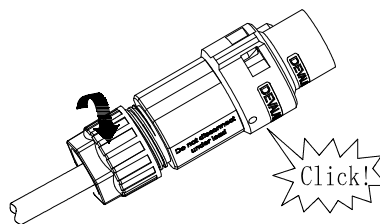
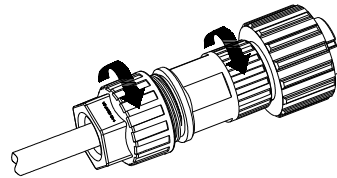
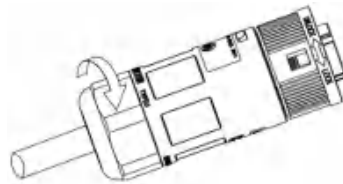
Connection terminal

2. Insert the stripped and bared cable through pressure screw, seal ring, threaded sleeve in sequence, insert cables into connection terminal according to polarities indicates on it and tighten the screws firmly. Please try to pull out the wire to make sure the it' s well connected.

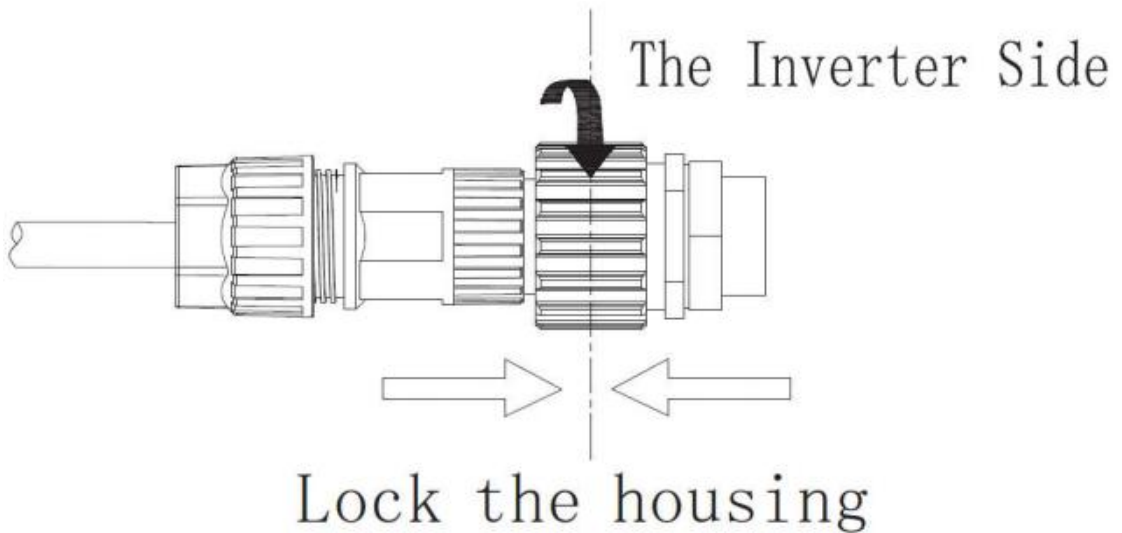
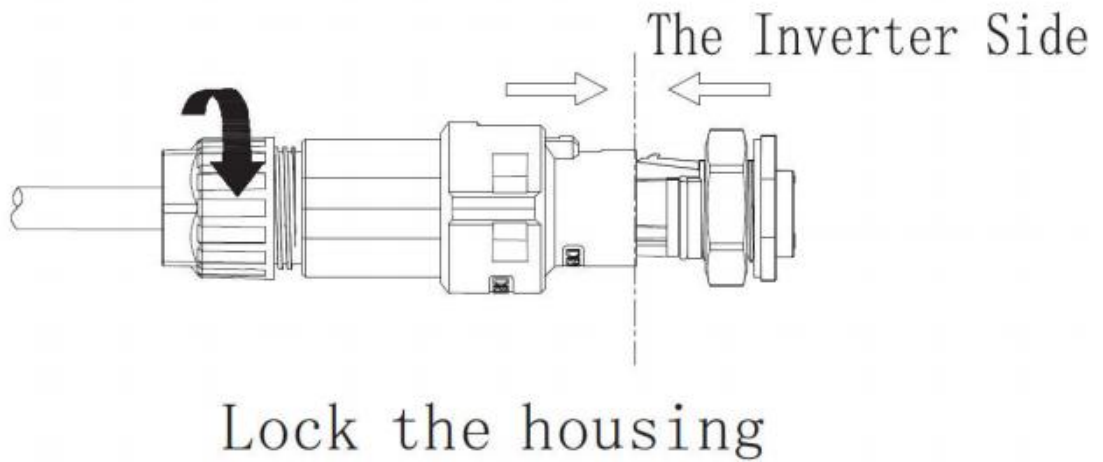
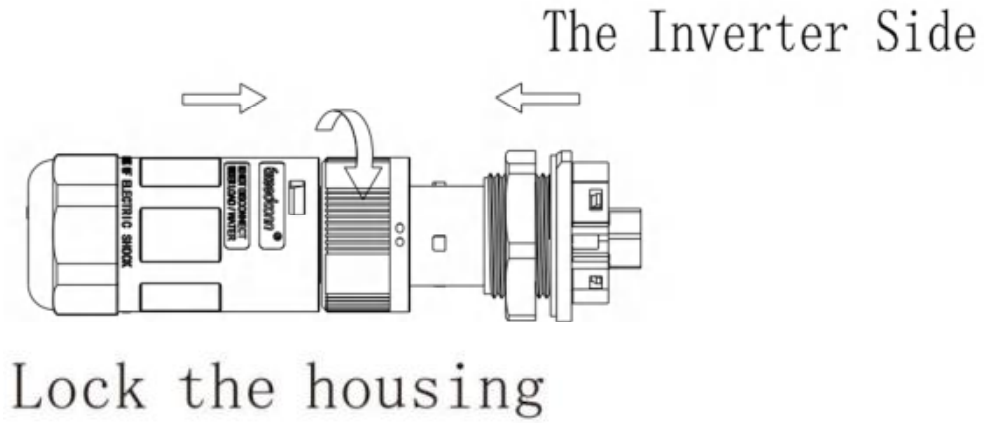




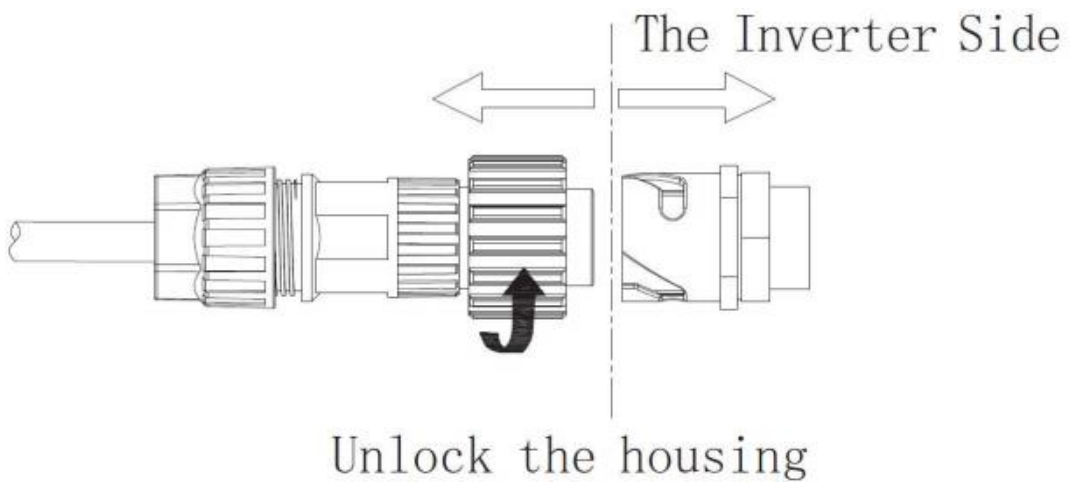
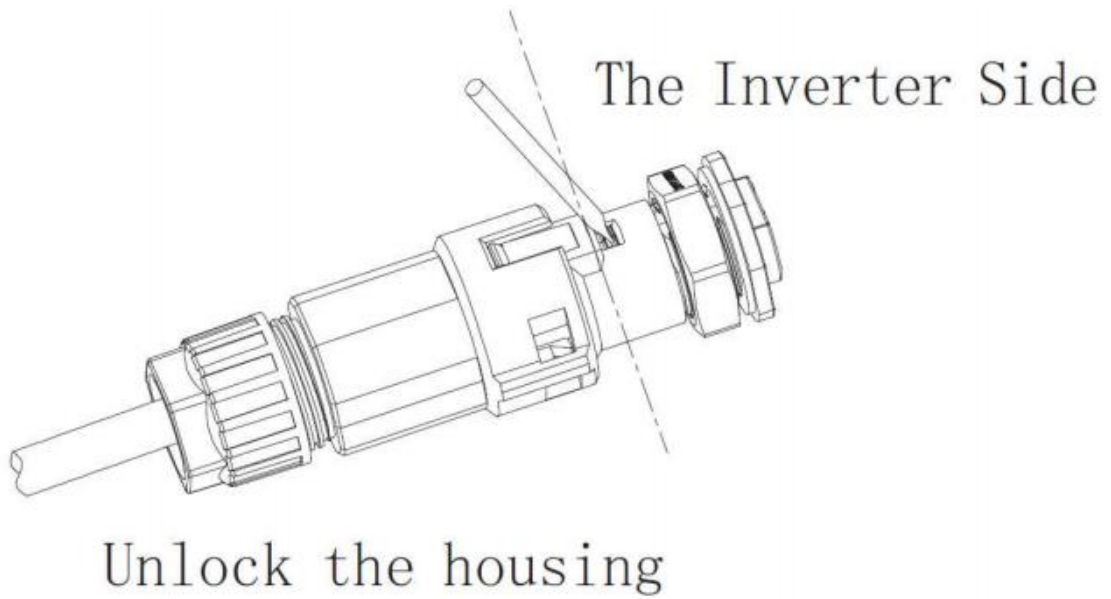
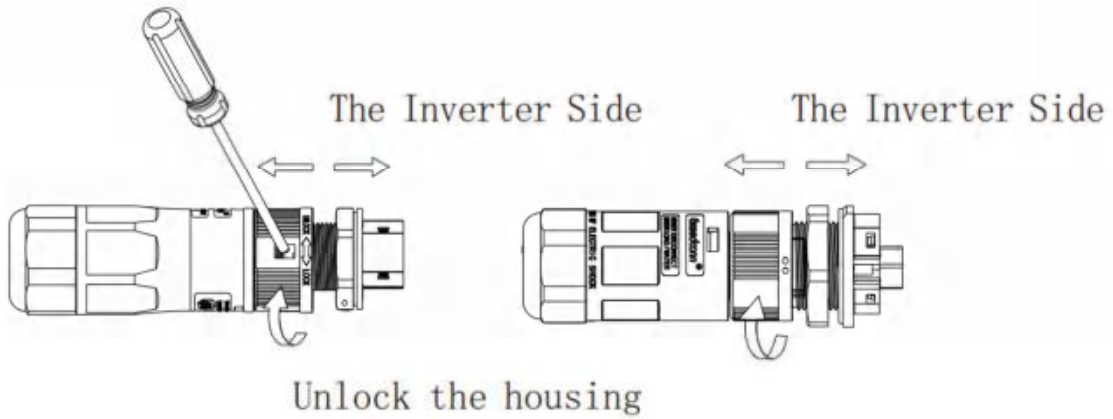
3. Push the threaded sleeve into the socket, Tighten up the cap on the terminal.



4. Finally, Push or screw the threaded sleeve to connection terminal until both are locked tightly on the inverter.



5: To remove the AC output terminal, press the bayonet out of the slot with a small screwdriver and pull it out, or unscrew the threaded sleeve, then pull it out.



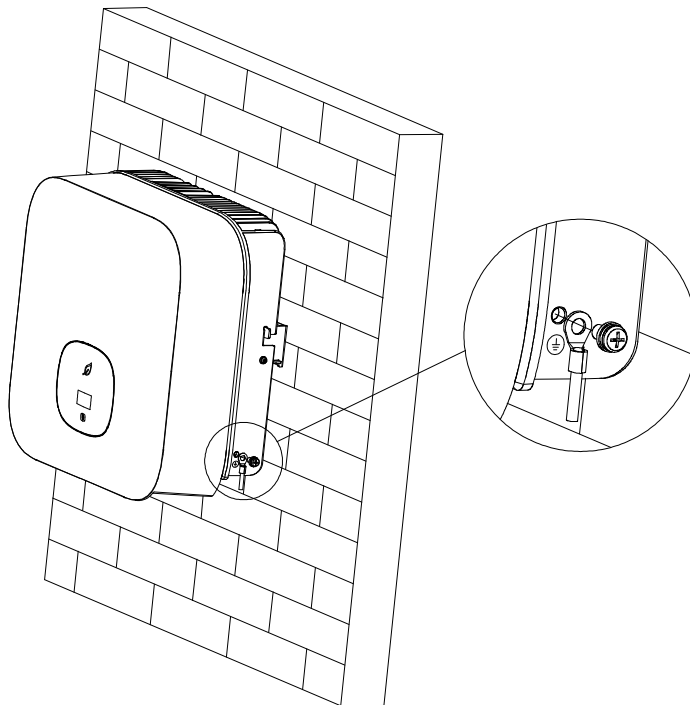
**Wire suggestion length:**

Conductor cross section	Max. cable length		
	MIN 2500 TL-X	MIN 3000 TL-X	MIN 3600 TL-X
<b>4 mm<sup>2</sup> 12AWG</b>	<b>48m</b>	<b>40m</b>	<b>33m</b>
<b>5.2 mm<sup>2</sup> 10AWG</b>	<b>60m</b>	<b>50m</b>	<b>42m</b>

Conductor cross section	Max. cable length		
	MIN 4200 TL-X MIN 4600 TL-X	MIN 5000 TL-X	MIN 6000 TL-X
<b>5.2 mm<sup>2</sup> 10AWG</b>	<b>28m</b>	<b>26m</b>	<b>24m</b>
<b>6.6 mm<sup>2</sup> 9AWG</b>	<b>36m</b>	<b>33m</b>	<b>30m</b>


## 6.3 Connecting the second protective conductor

In some installation countries, a second protective conductor is required to prevent a touch current in the event of a malfunction in the original protective conductor. For installation countries falling within the scope of validity of the IEC standard 62109, you must install the protective conductor on the AC terminal with a conductor cross-section of at least 10 mm<sup>2</sup> Cu. Or Install a second protective conductor on the earth terminal with the same cross-section as the original protective conductor on the AC terminal. This prevents touch current if the original protective conductor fails.

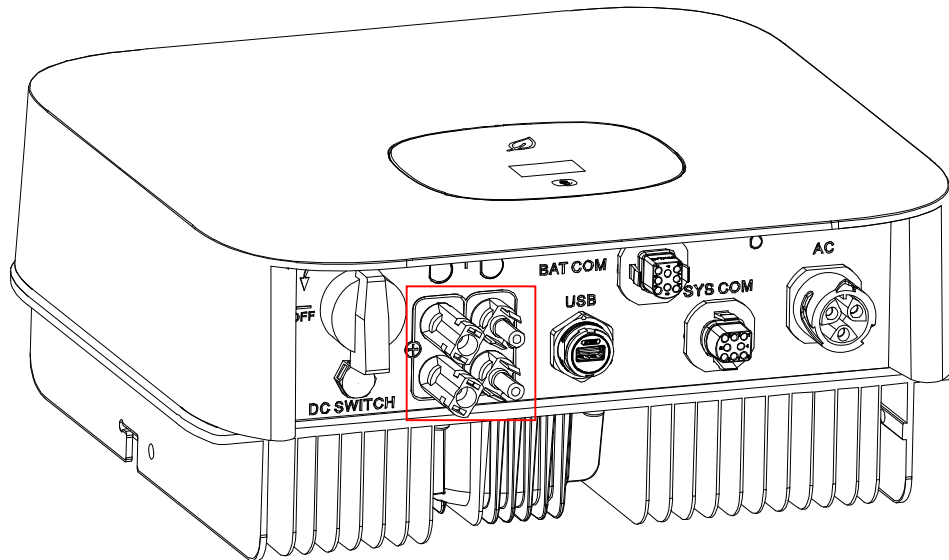



## 6.4 Connecting the PV Array (DC input)

### 6.4.1 Conditions for DC Connection


 <b>WARNING</b>	<p>The solar modules connected to the inverter must conform to the Class A requirements of the IEC 61730 standard.</p> <p>Please use the same brand male and female PV connectors.</p>
---	--


The MIN TL-X single-phase inverter has 2 independent input : PV1 & PV2  
 Notice that the connectors are in paired (male and female connectors). The connectors for PV arrays and inverters are VP-D4 connectors;



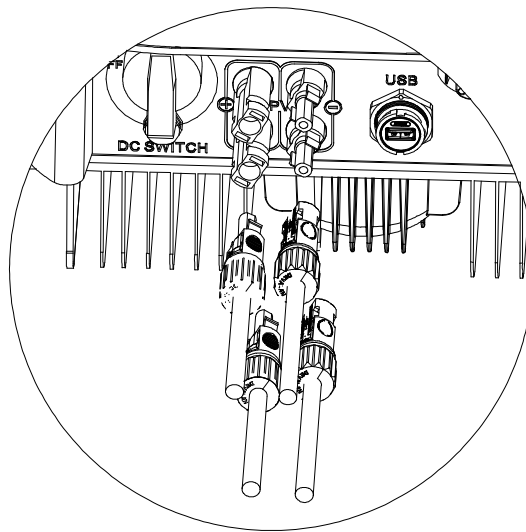
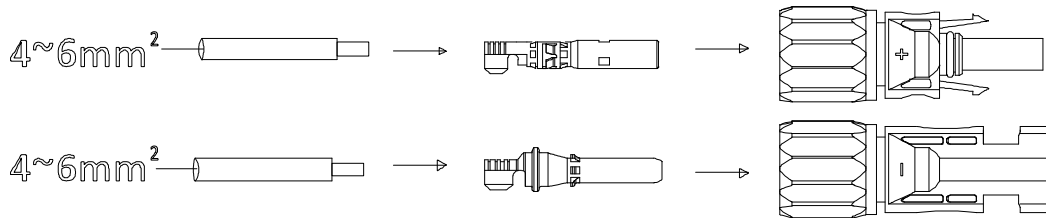
 <b>CAUTION</b>	If the inverter is not equipped with a DC switch but this is mandatory in the country of installation, install an external DC switch.			
	The following limit values at the DC input of the inverter must not be exceeded:			
	Types	Max current PV1	Max current input B	Max voltage
	2500-3000 TL-X	13.5A	13.5A	500V
	3600-6000 TL-X	13.5A	13.5A	550V

### 6.4.2 Connecting the PV Array (DC input)

 <b>DANGER</b>	<p><b>Danger to life due to lethal voltages!</b></p> <p>PV array supplies d.c voltage to inverter when exposed to light,before connecting the PV array, cover some light screens above PV arrays,ensure that the DC switch and AC breaker are disconnect from the inverter. <b>NEVER</b> connect or disconnect the DC connectors under load.</p> <p>Make sure the maximum open circuit voltage(Voc) of each PV string is less than the maximum input voltage of the inverter.</p> <p>Check the design of the PV plant. The Max. open circuit voltage, which can occur at solar panels temperature of -10°C, must not exceed the Max. input voltage of the inverter.</p>
	<p>Improper operation during the wiring process can cause fatal injury to operator or unrecoverable damage to the inverter. Only qualified personnel can perform the</p>

 <b>WARNING</b>	wiring work. Please don't connect PV array positive or negative pole to the ground, it could cause serious damages to the inverter Check the connection cables of the PV modules for correct polarity and make sure that the maximum input voltage of the inverter is not exceeded.
---	---

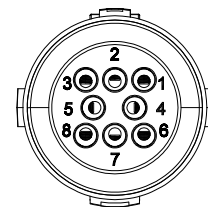
### Connection of PV terminal



## 6.5 Connecting signal cable

This series inverter has one 8 Pin signal connector(There are two connectors for AS/NZS4777 model ). Signal Cable Ports:

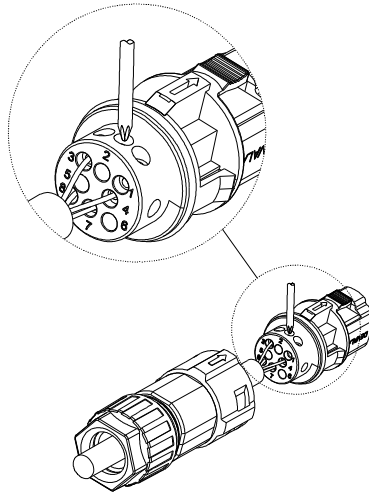
NO.	Definition	NO.	Definition
1	+12V	5	CT-P
2	COM	6	CT- N
3	RS485A1	7	RS485A2
4	RS485B1	8	RS485B2



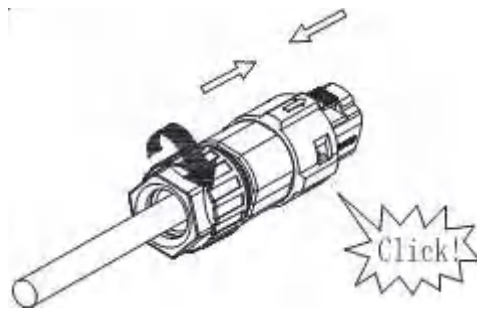
### Procedure

**Step 1** Insert the stripped and bared cable through pressure screw, seal ring, threaded sleeve in sequence, insert cables into connection terminal according to number indicates on it and tighten the screws firmly. Please try to pull out the wire to make sure the it's well connected.

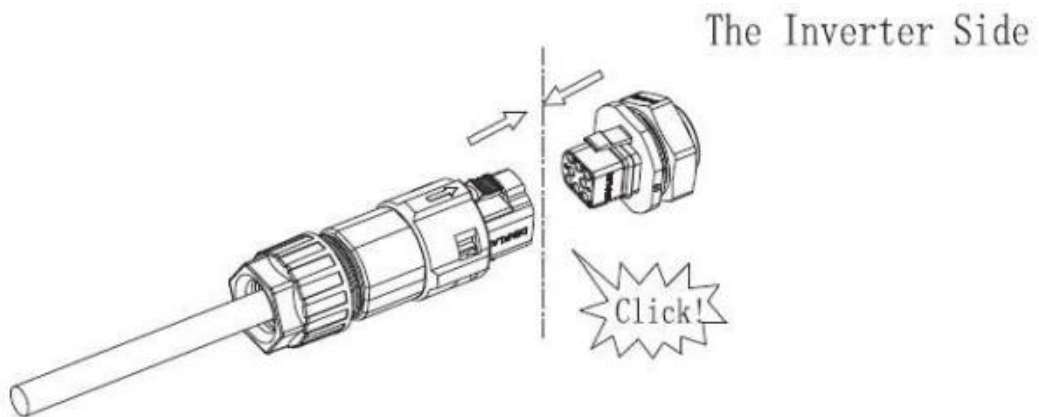




**Step 2** Push the threaded sleeve into the socket, Tighten up the cap on the terminal.

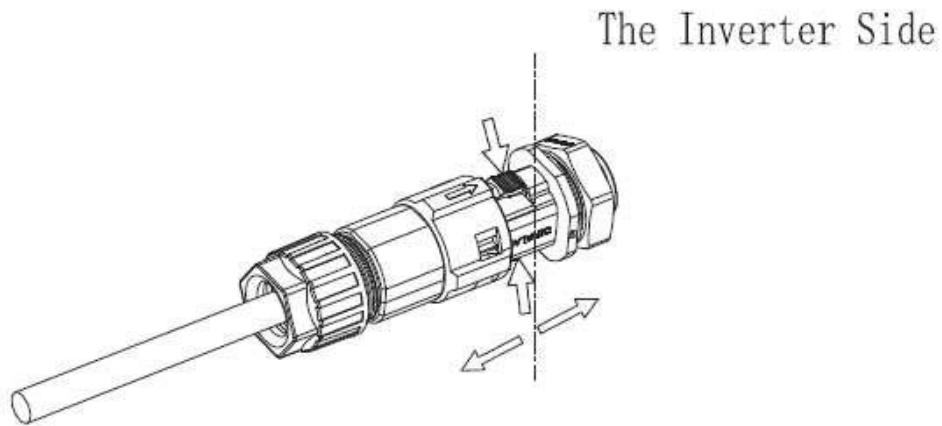


**Step 3** Push the threaded sleeve to connection terminal until both are locked tightly on the inverter.

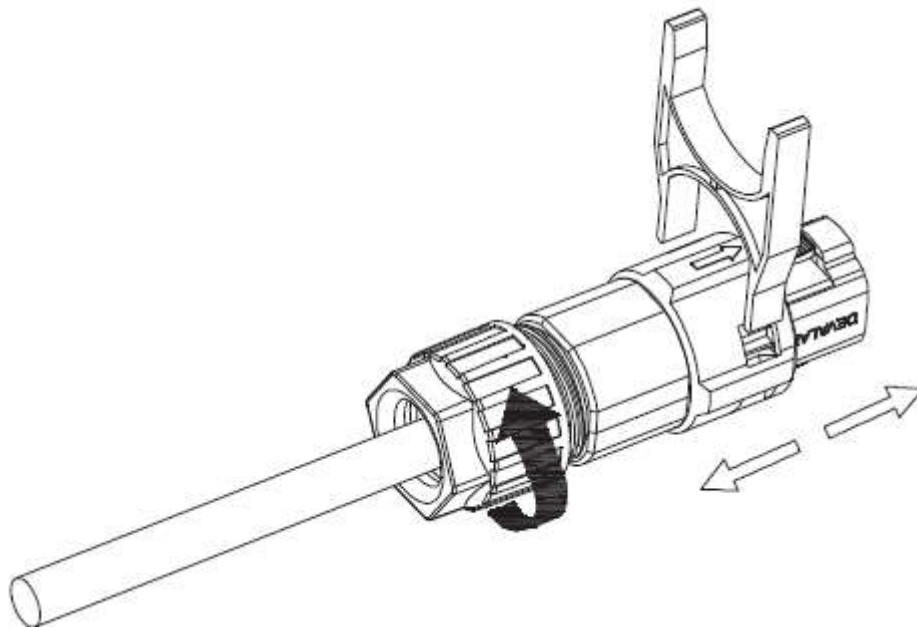


### Uninstall signal connector

**Step 1** Press the fasteners and pull it out from the inverter.



**Step 2** Insert the H type tool and pull it out from the socket.



## 6.6 Grounding the inverter

The inverter must be connected to the AC grounding conductor of the power distribution grid via the ground terminal (PE) .



**WARNING**


Because of the transformerless design, the DC positive pole and DC negative pole of PV arrays are not permitted to be grounded.

## 6.7 Earth Fault Alarm

The inverter complies with IEC62109-2. When the Earth fault occurs, the fault LED will light up. T

he buzzer in the inverter will keep ringing unless the fault condition is cleared(This function is only available for Australia and New Zealand).

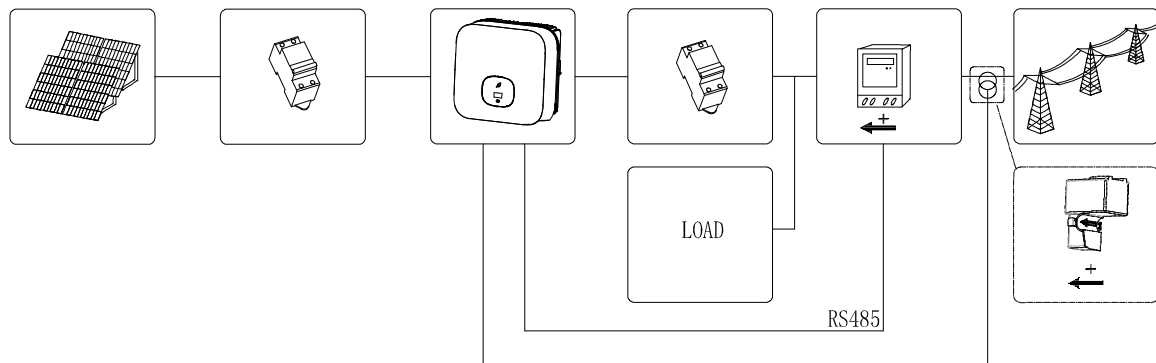
## 6.8 Active power control with smart meter , CT or ripple control signal receiver

	<p>The position of export limitation CT or Meter must between the Inverter &amp; Load and grid.</p> <p>Multiple inverter combination is not suitable in Australia.</p> <p><b>The smart meter and CT can be used only up to 2000m altitude.</b></p>
<b>Information</b>	

This series inverter has integrated generation limitation control and export limitation functionality.

The generation control function is used to control the active or apparent power output levels of an inverter.

The export limit control function for an inverter is used to control the generation from an inverter to manage the export power level from an electrical installation to the grid. To use this function, you can connect smart meter or CT. The smart meter model is Eastron SDM120CT-M(40mA). The CT Model is TOP 90-S10/SP4(LEM).The primary aperture is 10mm,output cable length is 5m . The arrow on the CT must pointing towards the inverter.The detailed information about the Meter,please refer to Annex -Eastron SDM120CT-M(40mA) user manual.



Manufacturer	Eastron
Type	SDM120CT-M(40mA)

### General Specifications

Voltage AC (Un)	230V
Voltage Range	176~276V AC
Base Current (Ib)	0.1V AC
Power consumption	<2W/10VA
Frequency	50/ 60Hz(±10%)
AC voltage withstand	4KV for 1 minute

Impulse voltage withstand	6KV-1.2uS waveform
Overcurrent withstand	20I <sub>max</sub> for 0.5s
Pulse output 1	1000imp/kWh (default)
Pulse output 2	0.001(default) /0.01/0.1/1 kWh/kVA <sub>rh</sub> (configurable)
Display Max. Reading	LCD with white backlit 999999kWh

### Environment

Operating temperature	-25°C to +55°C
Storage and transportation temperature	-40°C to +70°C
Reference temperature	23°C ± 2°C
Relative humidity	0 to 95%, non-condensing
Altitude	up to 2000m
Warm up time	3s
Installation category	CAT II
Mechanical Environment	M1
Electromagnetic environment	E2
Degree of pollution	2

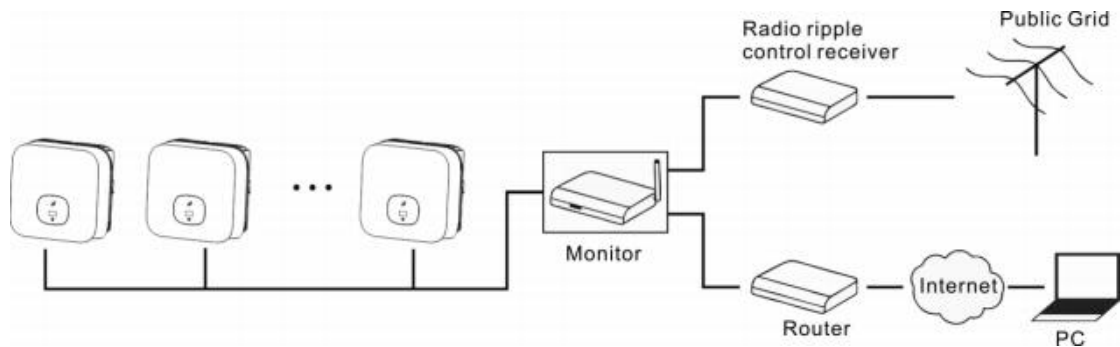
### Mechanics

Din rail dimensions	18x118x64 (WxHxD) DIN 43880
Mounting	DIN rail 35mm
Ingress protection	IP51 (indoor)
Material	self-extinguishing UL94V-0

The following table describes how we can connect EASTRON meter (SDM120CT(40mA) to inverter:



Meter Pin NO.	Description	Meter Connection
1	CT-input	CT-P(White)
2		CT-N(Black or Blue)
3	N-in	Grid N
4	L-in	Grid L
9	RS485B	RS485B2 connect to inverter SYS COM Pin 8
10	RS485A	RS485A2 connect to inverter SYS COM Pin 7

Active power control with a ripple control signal receiver.



## 6.9 Inverter demand response modes (DRMS)

This series inverter has the function of demand response modes, We use 8Pin socket as inverter DRMS connection.

 <b>Information</b>	<b>DRMS application description</b> <ul style="list-style-type: none"> <li>➤ Only applicable to <b>AS/NZS4777.2</b>.</li> <li>➤ DRM0, DRM5, DRM6, DRM7, DRM8 are available.</li> </ul>
 <b>CAUTION</b>	<b>Damage to the inverter due to moisture and dust penetration</b> <ul style="list-style-type: none"> <li>➤ Make sure the cable gland has been tightened firmly.</li> <li>➤ If the cable gland are not mounted properly, the inverter can be destroyed due to moisture and dust penetration. All the warranty claim will be invalid.</li> </ul>

### 6.9.1 8Pin socket pin assignment


DRM Connector Pin NO.	Assignment for inverters capable of both charging and discharging
1	DRM 5
2	DRM 6
3	DRM 7
4	DRM 8
5	RefGen
6	Com/DRM0
7	NC
8	NC

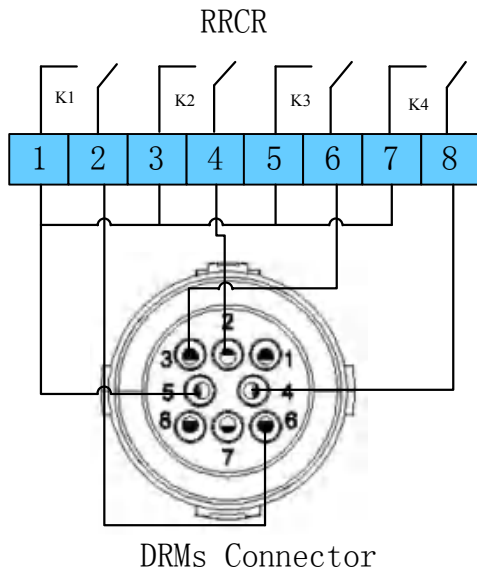
### 6.9.2 Method of asserting demand response modes

Mode	Socket Asserted by shorting pins	Requirement
------	-------------------------------------	-------------

DRM 0	6	5	Operate the disconnection device
DRM 5	1	5	Do not generate power
DRM 6	2	5	Do not generate at more than 50% of rated power
DRM 7	3	5	Do not generate at more than 75% of rated power AND Sink reactive power if capable
DRM 8	4	5	Increase power generation (subject to constraints from other active DRMs)

### 6.9.3 Using DRMS for EU

 <b>WARNING</b>	<p>Excessive voltage can damage the inverter!          External voltage of DRMs PORT don't over +5V.</p>
---	--



#### Inverter – RRCR Connection

6.9.3.1 The following table describes the connector pin assignment and function:




DRM Connector pin NO.	Description	Connect to RRCR
1	Relay contact 1 input	K1 – Relay 1 output
2	Relay contact 2 input	K2 – Relay 2 output
3	Relay contact 3 input	K3 – Relay 3 output
4	Relay contact 4 input	K4 – Relay 4 output
5	GND	Relays common node
6	Not connected	Not connected
7	Not connected	Not connected
8	Not connected	Not connected

6.9.3.2 The inverter is preconfigured to the following RRCR power levels:

DRMs Connector Pin 1	DRMs Connector Pin 2	DRMs Connector Pin 3	DRMs Connector Pin 4	Active power	Cos( $\varphi$ )
Short circuit with Pin5	-	-	-	0%	1
-	Short circuit with Pin5	-	-	30%	1
-	-	Short circuit with Pin5	-	60%	1
-	-	-	Short circuit with Pin5	100%	1

Active power control and reactive power control are enabled separately.

## 7 Commissioning

 <b>DANGER</b>	Do not disconnect the DC connectors under load.
 <b>WARNING</b>	Improper operation during the wiring process can cause fatal injury to operator or unrecoverable damage to the inverter. Only qualified personnel can perform the wiring work.
 <b>CAUTION</b>	<p>Damage to the inverter due to moisture and dust penetration</p> <ul style="list-style-type: none"> <li>➤ Make sure the cable gland has been tightened firmly.</li> <li>➤ If the cable gland are not mounted properly, the inverter can be destroyed due to moisture and dust penetration. All the warranty claim will be invalid.</li> </ul>

Requirements :

- ✓ The AC cable is correctly connected.
- ✓ The DC cable is correctly connected.
- ✓ The country is set correctly.


### 7.1 Start the inverter

#### 7.1.1 Touch control

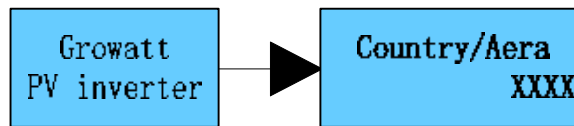
Touch	Description
Single touch	Switch display or Number +1
Double touch	Enter
Three touch	Previous menu
Hold 5s	Confirm country setting or

	Number recover default value
--	------------------------------

## 7.1.2 Country setting Country/Area and Region setting

 Information	<b>Country/Area and Region setting</b> ➤ When the inverter start up,we need to select the right country,if we don't select any country, the inverter will run under AS/NZS4777.2 as default for Australia & Region A,or run under VDE0126-1-1 for other region after 30s.
--	--

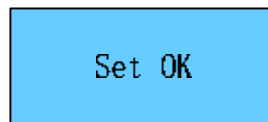
When inverter powered on, OLED will light automatically. Once the PV power is sufficient, OLED displays the following:



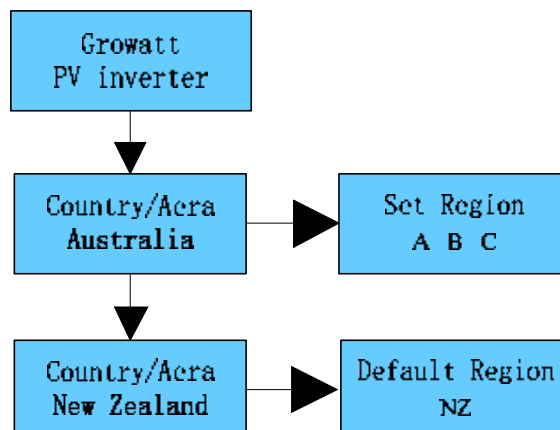
Press the touch key once a second to scroll through the different Country, showing on the screen will constantly change.For example, if you want to choose Argentina, press the control key until the OLED display shows “Newzealand” as below:



Press the touch key 5S, the OLED shows Country setting is complete.



When the Country setting is complete(Only for Australia), the OLED display shows “Set Region” as below:






**The installer** must set Region A,B or C when you choose Australia, but if you choose Newzealand the default Region is NZ. When Region A is selected, the inverter loads all the Region A values for power quality response modes and grid protection settings.

### 7.1.3 Enabling/Disabling Power Quality Response Modes

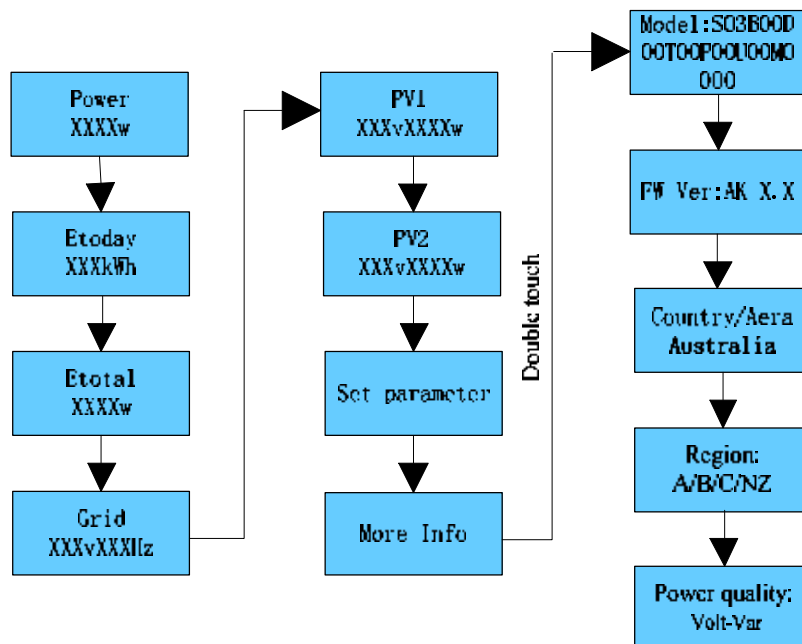
(PQRM)

 <b>Information</b>	<p>PQRM setting</p> <ul style="list-style-type: none"> <li>➤ When the Region setting is completed, the inverter will operate under default mode different from region.</li> </ul>
---	---

MIN TL-X contains five types Power Quality Response Modes: Volt-Var, Volt-watt, Fixed PF, Reactive power, Power limit. If you want to change the Power Quality Response Modes please refer to chapter 7.3.1.

### 7.1.4 Check firmware version, Region, Country/Area and Power Quality Response Modes

Single touch to switch display.  
 Double touch to enter next stage menu.



## 7.2 General setting

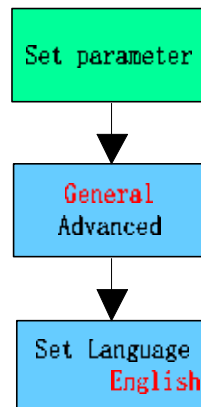
### 7.2.1 Set inverter display language

This series inverter provides multi languages.

Single touch to switch different language.

Double touch to confirm you setting.

Set the language as described below:



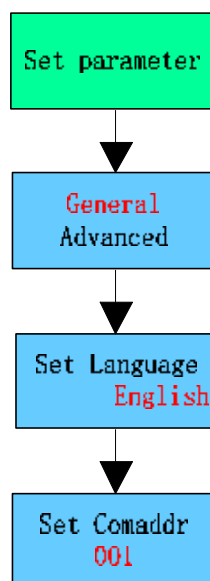
### 7.2.2 Set inverter COM address

The default COM address is 1. We can change COM address as described below:

Single touch to switch display or make the number +1.

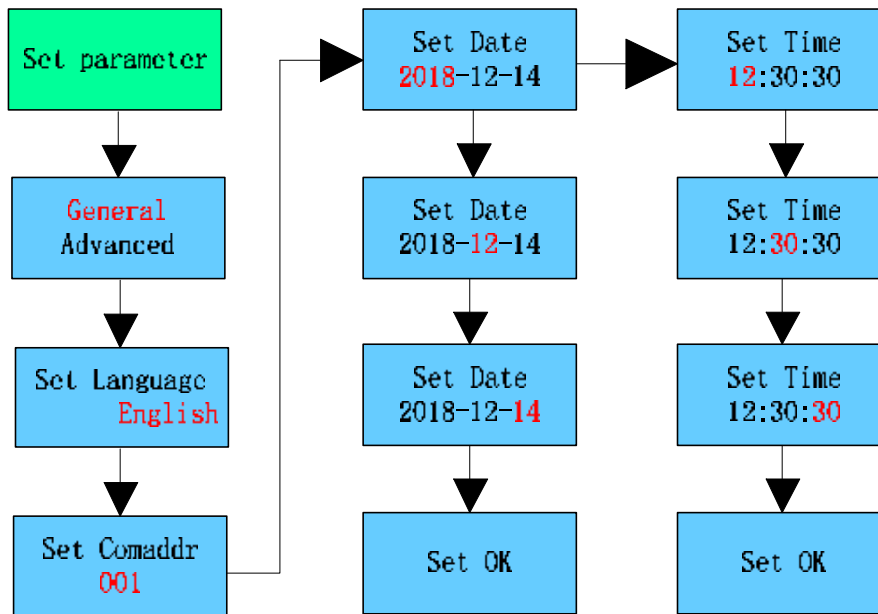
Hold 5s ,the COM address become 001.

Double touch to confirm you setting.



### 7.2.3 Set inverter date & time

Single touch make the number +1.  
Double touch to confirm you setting.  
Hold 5s recover default value.



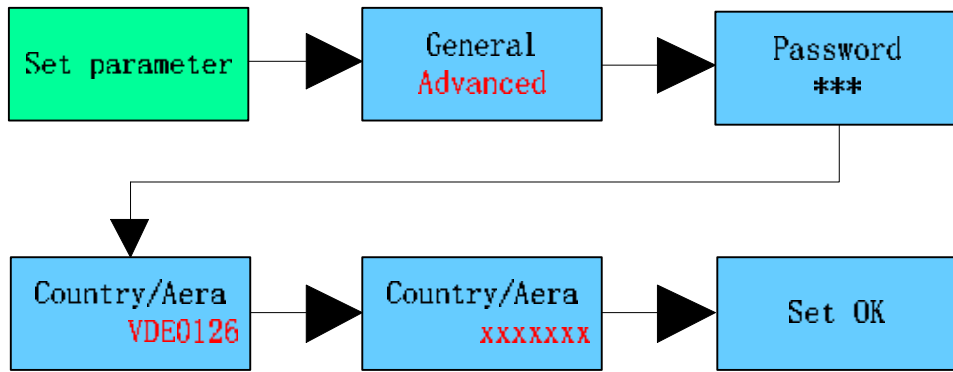
### 7.3 Advanced setting

#### 7.3.1 Reset Country,Region and Power Quality Response

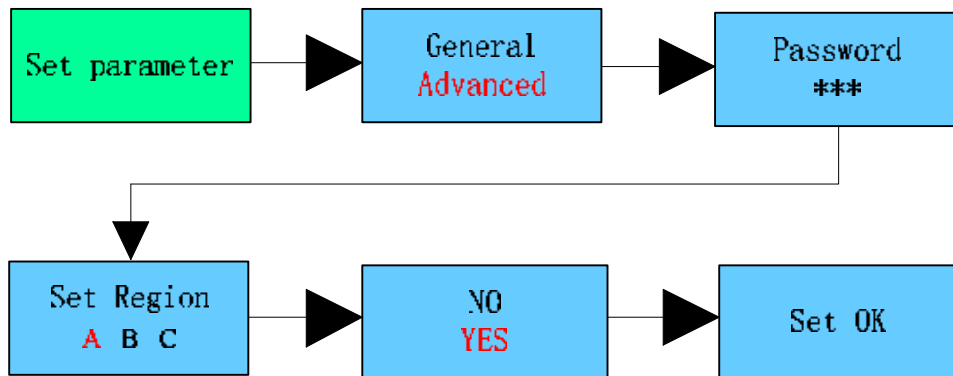
##### Modes (PQRM)

Single touch to switch display or make the number +1.  
Double touch to confirm you setting.  
Input right password,you can change Country/Area,Region and PQRM settings.

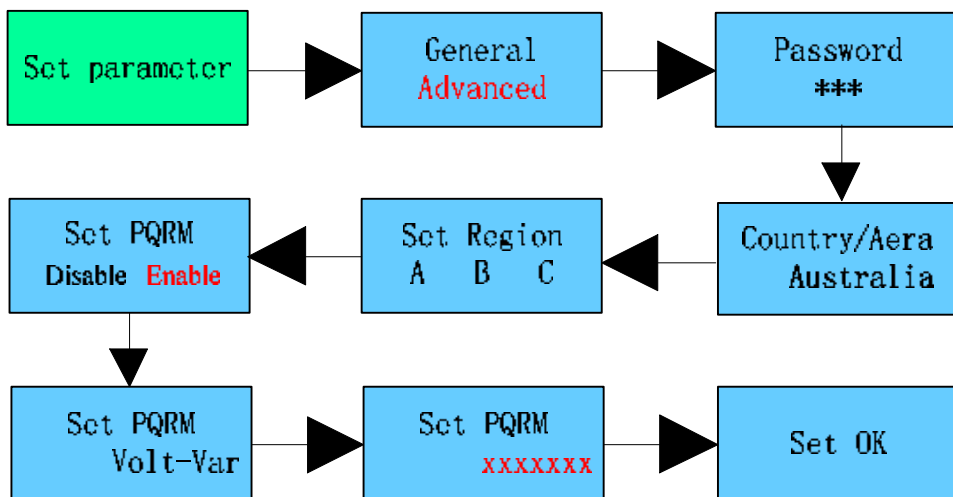
##### Reset Country



### Reset Region



### Reset PQRM



## 7.3.2 Generation & Export limitation control and Power Sensor setting

Single touch to switch display or make the number +1.

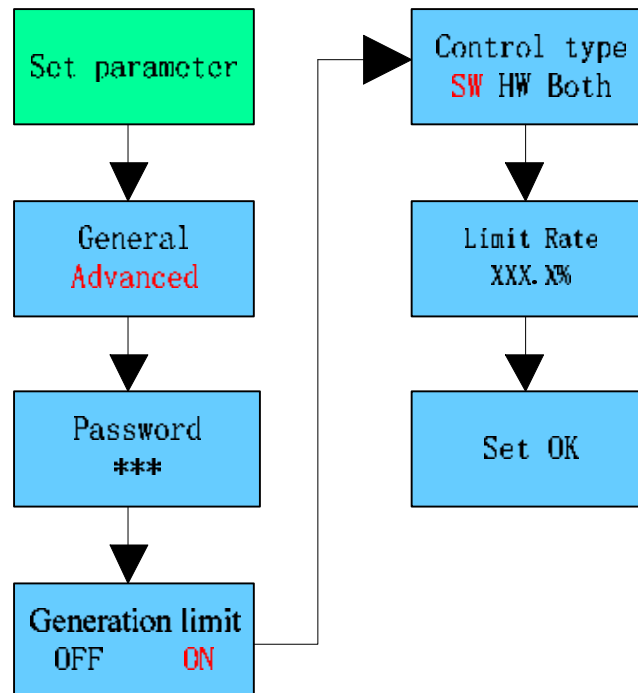
Double touch to confirm you setting.

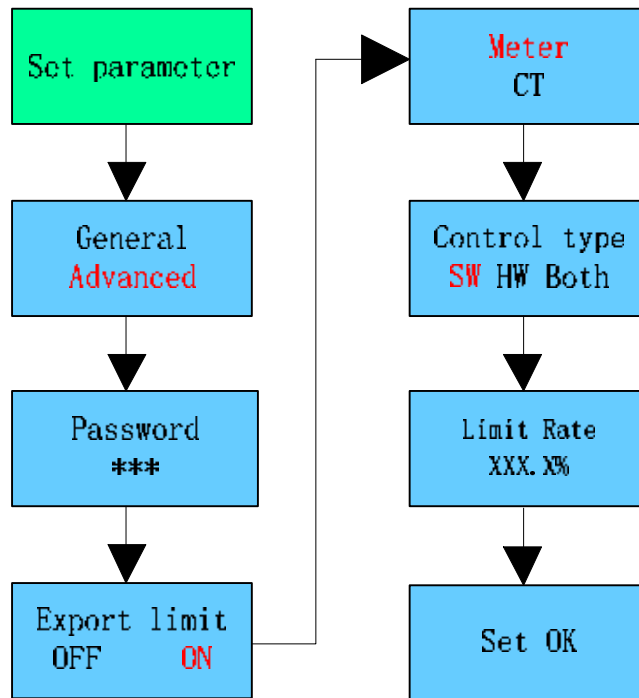
Control type:

SW stands for enabling software limit control function

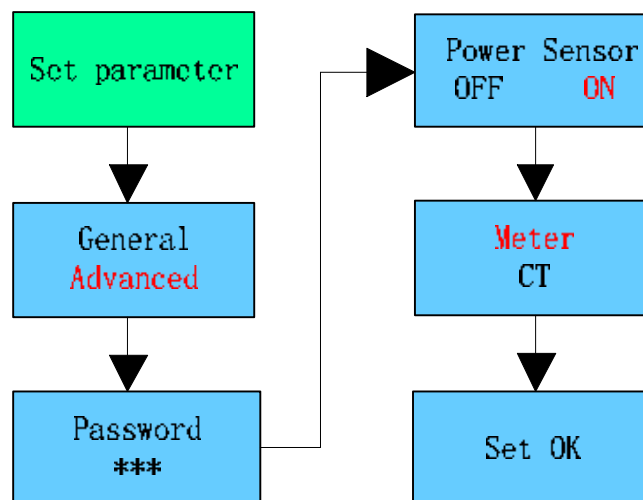
HW stands for enabling hardware limit control function

Both stands for enabling software and hardware limit control function at the same time.






Under the permission given by your energy provider, the ratio of your system output power divided by the rated power of the inverter is called Limit Rate. For instance, if the energy provider only accepts 4kVA/kW from your 5kW system, then the Limit Rate of 5kW inverter is 80.0%.

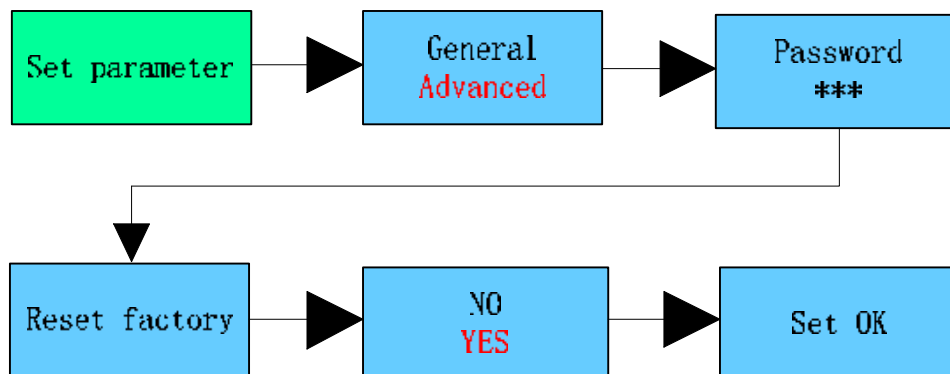


If you only want to check the load consumption function, you can choose Meter as Power sensor. CT is just only for Export Limit function.

### 7.3.3 Reset factory

 <b>Information</b>	Perform this operation with caution because all configured parameters except the current date, time, and model parameters will be restored to their factory defaults.
---	---

Single touch to switch display or make the number +1.  
 Double touch to confirm you setting.  
 Input right password,you can reset factory default setting.



### 7.3.4 Adjust the setpoints from the regional default values

Under the permission by Distribution Network Service Provider,the installer can adjust the setpoints from the regional default values.

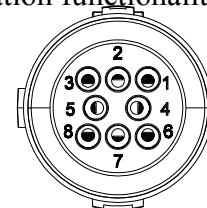
Please refer to the document 《Adjust the setpoints from the regional default values instruction》

## 7.4 Communications

### 7.4.1 RS485

This series inverter provides two RS485 ports. You can monitor one or more inverters by RS485. Another RS485 port is for smart meter(Export limitation functionality.).

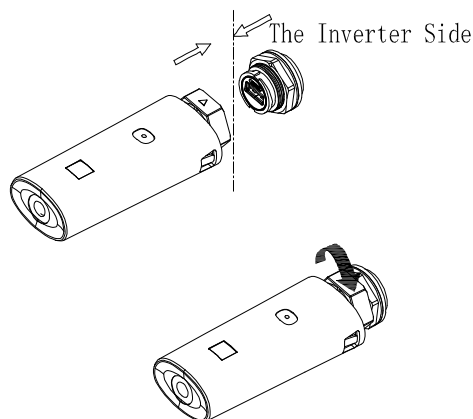
NO.	Definition		NO.	Definition	
1	+12V	Power supply for external relay( $\leq 2W$ )	5	CT-P	Signal for export limitation
2	COM		6	CT- N	
3	RS485A1	Signal for communication	7	RS485A2	Signal for Smart Meter
4	RS485B1		8	RS485B2	



### 7.4.2 USB-A

USB-A port is mainly for connecting monitor or firmware update:  
 Through USB connection,we can connect external optional monitor ,for example :Shine WIFI-X,Shine 4G-X, Shine LAN-X,ect.  
 And also you can quickly update the software by U stick.  
 We can monitor as below:

Make sure the  $\triangle$  on the front side, then insert the monitor, fasten the screw.




## 8 Start-Up and shut down the inverter

### 8.1 Start-Up the inverter

1. Connect the AC breaker of the inverter.
2. Turn on the dc switch, and the inverter will start automatically when the input voltage is higher than 70 V.


### 8.2 Turn-off the Inverter

 <b>DANGER</b>	Do not disconnect the DC connectors under load.
--	---

Turn-off the inverter step:

1. Disconnect the line circuit breaker from single-phases grid and prevent it from being reactivated.
2. Turn off the dc switch.
3. Check the inverter operating status.
4. Waiting until LED, OLED have go out, the inverter is shut down.

## 9 Maintenance , Repair and Cleaning

 <b>WARNING</b>	Prior to removal of any cover for maintenance or repair, turn off the switch on the AC and DC sides
---	---



## 9.1 Checking Heat Dissipation

If the inverter regularly reduces its output power due to high temperature, please improve the heat dissipation condition. Maybe you need to clean the heat sink.

## 9.2 Cleaning the Inverter

If the inverter is dirty, turn-off the AC breaker and DC switch ,waiting the inverter shut down ,then clean the enclosure lid, the display, and the LEDs using only a wet cloth. Do not use any cleaning agents (e.g. solvents or abrasives).

## 9.3 Checking the DC Disconnect

Check for externally visible damage and discoloration of the DC Disconnect and the cables at regular intervals.If there is any visible damage to the DC Disconnect, or visible discoloration or damage to the cables, contact the installer.

- Once a year, turn the rotary switch of the DC Disconnect from the On position to the Off position 5 times in succession. This cleans the contacts of the rotary switch and prolongs the electrical endurance of the DC Disconnect.

## 10 EU Declaration of Conformity

- With the scope of EU directives:
  - •2014/35/EU Low Voltage Directive (LVD)
  - •2014/30/EU Electromagnetic Compatibility Directive (EMC)
  - •2011/65/EU RoHS Directive and its amendment (EU)2015/863
- Shenzhen Growatt New Energy Co. Ltd confirms that the Growatt inverters and accessories described in this document are in compliance with the above mentioned EU directives. The entire EU Declaration of Conformity can be found at [www.ginverter.com](http://www.ginverter.com).

## 11 Trouble shooting

Our quality control program assures that every inverter is manufactured to accurate specifications and is thoroughly tested before leaving our factory. If you have difficulty in the operation of your inverter, please read through the following information to correct the problem.

## 11.1 Error Messages displayed on OLED

An error message will be displayed on the OLED screen when a fault occurs. The faults consist of system fault and inverter fault.

You may be advised to contact Growatt in some situation, please provide the following information.

Information concerning the inverter:

- Serial number
- Model number
- Error message on OLED
- Short description of the problem
- Grid voltage
- DC input voltage
- Can you reproduce the failure? If yes, how?
- Has this problem occurred in the past?
- What was the ambient condition when the problem occurred?

Information concerning the PV panels:

- Manufacturer name and model number of the PV panel
- Output power of the panel
- Voc of the panel
- Vmp of the panel
- Imp of the panel
- Number of panels in each string

If it is necessary to replace the unit, please ship it in the original box.

## 11.2 System fault

System fault (system faults are mainly caused by system instead of inverter, please check the items as instructed below before replacing inverter).

Error message	Description	Suggestion
Residual I High Error: 201	Leakage current too high	1.Restart the invert. 2. If error message still exists, contact

		Growatt.
PV Voltage High Error: 202	The DC input voltage is exceeding the maximum tolerable value.	<ol style="list-style-type: none"> <li>1. Disconnect the DC switch immediately.</li> <li>2. Check the voltage of each PV string with multimeter.</li> <li>3. If the voltage of PV string is lower than 550V, contact Growatt.</li> </ol>
PV Isolation Low Error: 203	Insulation problem	<ol style="list-style-type: none"> <li>1. Check if panel enclosure ground properly.</li> <li>2. Check if inverter ground properly.</li> <li>3. Check if the DC breaker gets wet.</li> <li>4. Check the impedance of PV (+) &amp; PV (-) between ground (must be more than 25 K<math>\Omega</math>). If the error message is displayed despite the above checking passed, contact Growatt.</li> </ol>
AC V Outrange Error: 300	Utility grid voltage is out of permissible range.	<p>Please switch off DC switch.</p> <p>Check AC wiring, especially neutral and ground wire.</p> <p>Check grid voltage is complied with local grid standard. Restart inverter, if problem still exist, Contact Growatt.</p>
No AC connection Error: 302	No AC connection	<p>Check AC wiring.</p> <p>Check the status of AC breaker</p>
PE abnormal Error: 303	Voltage of Neutral and PE above 30V.	<ol style="list-style-type: none"> <li>1. Check the voltage of Neutral and PE.</li> <li>2. Check AC wiring.</li> <li>3. Restart inverter, if error message still exists, contact Manufacturer</li> </ol>
AC F Outrange Error: 304	Utility grid frequency out of permissible range.	<p>Please switch off DC switch.</p> <p>Check AC wiring, especially neutral and ground wire.</p> <p>Check grid frequency is complied with local grid standard. Restart inverter, if problem still exist, Contact Growatt.</p>
Auto Test Failed Error: 407	Auto test didn't pass.	Restart inverter, repeat Auto Test, if problem still exist, contact Growatt.

## 11.3 Inverter warning

Warning code	Meanings	Suggestion
Warning202	DC SPD function abnormal	1.After shutdown,Check the DC SPD. 2.If error message still exists,contact manufacturer.
Warning 203	PV1 or PV2 Circuit short	Check the PV panel polarity. Restart the inverter. If the warning still exist, please contact Growatt customer service to replace the POWER board.
Warning204	Dryconnect function abnormal	1.After shutdown,Check the dry Dryconnect wiring. 2.If the error message still exists, contact manufacturer.
Warning 205	PV1 or PV2 boost broken	Restart the inverter. If the warning still exist, please contact Growatt customer service to replace the power board.
Warning207	USB over-current	1: Unplug the U disk or monitor. 2: Re-access U disk or monitor after shutdown. 3.If the error message still exists, contact manufacturer.
Warning 401	Inverter communicates with Meter abnormal	1: Check if the meter is on 2: Check the inverter and the meter connection is normal
Warning404	EEPROM abnormal	Restart the inverter. If the warning still exist, please contact Growatt customer service to replace the M3 board.
Warning405	Firmware version is not consistent	Uptate the right version firmware

## 11.4 Inverter fault

Error code	Meanings	Suggestion
Error: 402	Output High DCI	Restart inverter, if problem still exist, Contact Growatt.
Error: 404	Bus sample fault	Restart inverter, if problem still exist, Contact Growatt.
Error: 405	Relay fault	Restart inverter, if problem still exist, Contact Growatt.
Error: 408	Over Temperature	If the ambient temperature of inverter is

		lower than 60°C, restart inverter, if error message still exists, contact Growatt.
Error: 409	Bus over voltage	Restart inverter, if problem still exist, Contact Growatt.
Error: 411	DSP communicates with M3 abnormal	Restart inverter, if problem still exist, update the DSP&M3 firmware; Change DSP board or M3 board, if problem still exist, contact Growatt.
Error: 414	EEPROM fault.	Restart inverter, if problem still exist, Contact Growatt.
Error: 417	The data sampled by the DSP and redundant M3 is not the same.	Restart inverter, if problem still exist, Contact Growatt.
Error: 420	GFCI fault.	Restart inverter, if problem still exist, change power board, or contact Growatt.


## 12 Manufacturer Warranty

Please refer to the warranty card.

## 13 Decommissioning

### 13.1 Dismantling the Inverter

- 1 Disconnect the inverter as described in section 8 .
- 2 Remove all connection cables from the inverter.

 <b>CAUTION</b>	<b>Danger of burn injuries due to hot enclosure parts!</b> Wait 20 minutes before disassembling until the housing has cooled down.
---	---

- 3 Screw off all projecting cable glands.
- 4 Lift the inverter off the bracket and unscrew the bracket screws.

### 13.2 Packing the Inverter

If possible, always pack the inverter in its original carton and secure it with tension belts. If it is no longer available, you can also use an equivalent carton. The box must be capable of being closed completely and made to support both the weight and the size of the inverter.

### 13.3 Storing the Inverter

Store the inverter in a dry place where ambient temperatures are always between -25°C and +60°C.

### 13.4 Disposing of the Inverter



Do not dispose of faulty inverters or accessories together with household waste. Please accordance with the disposal regulations for electronic waste which apply at the installation site at that time. Ensure that the old unit and, where applicable, any accessories are disposed of in a proper manner

## 14 Technical Data

### 14.1 Specification

Model	2500TL-X	3000TL-X	3600TL-X	4200TL-X
<b>Specifications</b>				
<b>Input data(DC)</b>				
Max. recommended PV power(for module STC)	3500W	4200W	5040W	5880W
Max. DC voltage	500V		550V	
Start voltage	100V			
Min. operating voltage	80V			
Nominal voltage	360V			
MPP voltage range	80-550V			
No. of MPP trackers	2			
No. of PV strings per MPP trackers	1			
Max. input current per MPP trackers	13.5A			
Max. short-circuit current per MPP trackers	16.9A			
<b>Output data(AC)</b>				
Rated output power	2.5kW	3kW	3.6kW	4.2kW
Rated apparent power	2.5kVA	3kVA	3.6kVA	4.2kVA
Max. AC apparent power	2.5kVA	3kVA	3.6kVA	4.2kVA
Nominal AC voltage/range*	230/ 160~300V	230/ 160~300V	230/ 160~300V	230/ 160~300V
AC grid frequency/range	50-60Hz/44-55Hz;54-65Hz			
Rated output current	10.9A	13A	15.7A	18.3A
Max. output current	11.3A	13.6A	16A	19A
Max output overload protection	16A	16A	20A	25A
Max.Inrush current (Peak value/duration time)	<10A/5ms			
Max output fault current (Peak value/duration time)	<95A/20us			
Backfeed current	0A			
Power factor(@nominal power)	>0.99			
Adjustable power factor	0.8leading... 0.8lagging			
THDi	<3%			
AC grid connection type	Single phase			

Overvoltage category	PV:II AC:III Others:I			
<b>Efficiency</b>				
Max. efficiency	98.2%	98.2%	98.2%	98.4%
Euro-eta	97.1%	97.1%	97.2%	97.2%
<b>Protection devices</b>				
DC reverse-polarity protection	Integrated			
<b>DC switch*</b>	Integrated			
DC Surge protection	Type II			
Insulation resistance monitoring	Integrated			
AC surge protection	Type III			
AC short-circuit protection	Integrated			
Ground fault monitoring	Integrated			
Grid monitoring	Integrated			
Anti-islanding protection	Integrated(Active Frequency Drift)			
Residual-current monitoring unit	Integrated			
<b>General data</b>				
Dimensions (W / H / D) in mm	375*350*160			
Weight	10.8 kg			
Operating temperature range	-25 °C ... +60 °C			
Noise emission (typical)	≤ 25 dB(A)			
Altitude	4000m			
Internal consumption at night	<1W			
Topology	Non-isolated			
Cooling	Natural convection			
Protection degree	IP65			
Relative humidity	0~100%			
DC connection	VP-D4/MC4(Optional)			
AC connection	AC connector			
<b>Interfaces</b>				
Display	OLED+LED			
RS485/USB	Integrated			
WIFI/GPRS/4G/LAN/ RF	Optional			
Warranty:5/10 years	Yes/ Optional			

<b>Model</b>	4600TL-X	5000TL-X	6000TL-X
<b>Specifications</b>			
<b>Input data(DC)</b>			
Max. recommended PV power(for module STC)	6440W	7000W	8100W
Max. DC voltage	550V		



Start voltage	100V		
Min. operating voltage	80V		
Nominal voltage	360V		
MPP voltage range	80-550V		
No. of MPP trackers	2		
No. of PV strings per MPP trackers	1		
Max. input current per MPP trackers	13.5A		
Max. short-circuit current per MPP trackers	16.9A		
<b>Output data(AC)</b>			
Rated output power	4.6kW	5kW	6kW
Rated apparent power	4.6kVA	5kVA	6kVA
Max. AC apparent power	4.6kVA	5kVA	6kVA
Nominal AC voltage/range*	230/ 160~300V	230/ 160~300V	230/ 160~300V
AC grid frequency/range	50-60Hz/44-55Hz;54-65Hz		
Rated output current	20A	21.7A	26A
Max. output current	20.9A	22.7A	27.2A
Max output overload protection	25A	32A	32A
Max.Inrush current (Peak value/duration time)	<10A/5ms		
Max output fault current (Peak value/duration time)	<95A/20us		
Backfeed current	0A		
Power factor(@nominal power)	>0.99		
Adjustable power factor	0.8leading... 0.8lagging		
THDi	<3%		
AC grid connection type	Single phase		
Overvoltage category	PV:II AC:III Others:I		
<b>Efficiency</b>			
Max. efficiency	98.4%	98.4%	98.4%
Euro-eta	97.5%	97.5%	97.5%
<b>Protection devices</b>			
DC reverse-polarity protection	Integrated		
DC switch*	Integrated		
DC Surge protection	Type II		
Insulation resistance monitoring	Integrated		
AC surge protection	Type III		
AC short-circuit protection	Integrated		

Ground fault monitoring	Integrated
Grid monitoring	Integrated
Anti-islanding protection	Integrated(Active Frequency Drift)
Residual-current monitoring unit	Integrated
<b>General data</b>	
Dimensions (W / H / D) in mm	375*350*160
Weight	10.8 kg
Operating temperature range	-25 °C ... +60 °C
Noise emission (typical)	≤ 25 dB(A)
Altitude	4000m
Internal consumption at night	<1W
Topology	Non-isolated
Cooling	Natural convection
Protection degree	IP65
Relative humidity	0~100%
DC connection	VP-D4
AC connection	AC connector
<b>Interfaces</b>	
Display	OLED+LED
RS485/USB	Integrated
WIFI/GPRS/4G/LAN/ RF	Optional
Warranty:5/10 years	Yes/ Optional

\*DC Switch is not available on the Australian model

## 14.2 DC &AC connector info

DC connector	VP-D4(Dongguan Vaconn Electronic Technology)	Amphenol Helios H4-R/H4 (opt)	-
AC connector*	VPAC06EP-3P(SC)S	VPAC06EP-3S(SC)5	EN032-1128-1001

\* Only for Australia market.

## 14.3 Torque

Enclosure lid screws	12kgf.cm
AC terminal	6kgf.cm
Signal terminal	4kgf.cm
Safety screw	12kgf.cm
Additional ground screws	12kgf.cm

## 14.4 Accessories

In the following table you will find the optional accessories for your product. If required, you can order these from GROWATT NEW ENERGY CO.,LTD or your dealer.

Name	Brief description
Shine WIFI-X	WIFI monitor with USB interface
Shine 4G-X	4G monitor with USB interface
Shine RF-X	RF monitor with USB interface
Shine LAN-X	LAN monitor with USB interface

Shipped to a Growatt service centre for repair, or repaired on-site, or exchanged for a replacement device of equivalent value according to model and age.

The warranty shall not cover transportation costs in connection with the return of defective modules . The cost of the installation or reinstallation of the modules shall also be expressly exclude as are all other related logistical and process costs incurred by all parties in relation to this warranty claim.

## 15 Compliance Certificates

- Certificates

With the appropriate settings, the unit will comply with the requirements specified in the following standards and directives (dated: Dec./2021):

Model	Certificates
2500-6000TL-X	CE , IEC 62109, AS4777, G98,G99,INMETRO,UL1741,IEEE1547

## 16 Contact

If you have technical problems about our products, contact the GROWATT Serviceline. We need the following information in order to provide you with the necessary assistance:

- Inverter type
- Serial number of the inverter
- Event number or display message of the inverter
- Type and number of PV modules connected
- Optional equipment

**GROWATT NEW ENERGY Co.,LTD**

- 4-13/F,Building A,Sino-German (Europe) Industrial Park,Hangcheng Ave,Bao'an District,Shenzhen,P.R.China
- www.ginverter.com
- Serviceline
- Tel:+ 86 755 2747 1942
- Email:service@ginverter.com

## Warranty claim procedure:

Please report the potentially defective devices to your supplier to identify.

Supplier is required to send the warranty claim form to Growatt or authorized service partner with all the necessary information under Australian Consumer Law.

Please fill in the required information below when your device is defective, scan and send it to your supplier or email your supplier with all the information or contact Growatt service team directly.

Please note Growatt reserve the ultimate explanation right on this warranty card.



### End User Information

Customer name:

Phone number:

Email:

Detailed address:

### Product Information

Inverter Model:

Serial No. (S/N):

Purchase date:

Dealer/Installer:

Commissioning data:



Growatt New Energy Australia Pty Ltd

C1,27-29 Fariola Street, Silverwater, NSW 2128

[www.ginverter.com.au](http://www.ginverter.com.au)

T: +61 2 8065 1298

H: 1800 476 928

E: [australia@ginverter.com](mailto:australia@ginverter.com)

# Warranty Card

## Growatt Factory Warranty

For the inverter with this warranty card you purchased, you receive a Growatt factory warranty valid for 5 years from the date of installation and no more than five and a half years from the delivery date from Growatt New Energy Co., Ltd.

This warranty includes all defects of design, components and Manufacturing according to the Australian Consumer Law.

Excluded from warranty are damages due to:

- Breaking the product seal (opening the casing) without proper approval
- Failure to observe the user manual, the installation guide, and the maintenance regulations
- Unauthorized Modifications, changes, or attempted repairs
- Incorrect use or inappropriate operation
- Insufficient ventilation of the device
- Failure to observe the applicable safety regulations
- Force majeure (e.g., lightning, over voltage, storm, fire)
- goods bought from one-off sales by private sellers, such as a private garage sale or school fetes
- goods purchased at a traditional auction
- goods purchased to be resold or transformed into a product that is on-sold
- services for transportation or storage of business goods, or
- fitness for purpose of professional services provided by a qualified architect or engineer

If you would like to purchase an extension of Growatt factory warranty based on the 5 year term of Growatt factory warranty, please contact Growatt to get the price and an extending warranty card for apply.

## Warranty condition

According to Australian consumer Law, if a device becomes defective during the agreed Growatt factory warranty period and provided that it will not be impossible or unreasonable, the device will be, as selected by Growatt:

- repaired by Growatt, or
- repaired on-site, or
- exchanged for a replacement device of equivalent value according to model and age.

In the latter case, the remainder of the warranty entitlement will be transferred to the replacement device. In this case, you do not receive a new certificate since your entitlement is documented at Growatt.

If you have purchased this product in Australia, you should be aware that this warranty is provided in addition to other rights and remedies held by a consumer at law.

Our goods come with guarantees that cannot be excluded under Australian Consumer Law. You are entitled to a replacement or refund for a major failure and for compensation for any other reasonably foreseeable loss or damage. You are also entitled to have the goods repaired or replaced if the goods fail to be of acceptable quality and the failure does not amount to a major failure.